

PART NO.: I-KT100

Dimension: 110mmx83mm

DESCRIPTION: 304 Stainless steel trackball for internet kiosks, self-service terminals

MAIN FEATURE

Faceplate Dimensions: 110mmx83mm

Dustproof, Water proof, Vandalism resistance, Shakeproof, Pickproof

Key travel: 2.00mm.

keyswitch lifetime: > 5 million of operations.

Actuation Force: 1N

G.W. 0.25kg

TECHNICAL DATA

- Lifespan :> 5 years.
- Interface: PS2, USB available.
- Supply Voltage: +5V DC +/-5%
- Protection Level: IP65; NEMA4X
- Operating temperature:-10C to +60C.
- Storage temperature: -20C to +70C.
- CERT: RoHS, CE and FCC.



HMI Components Division
Diamond Electronics Limited

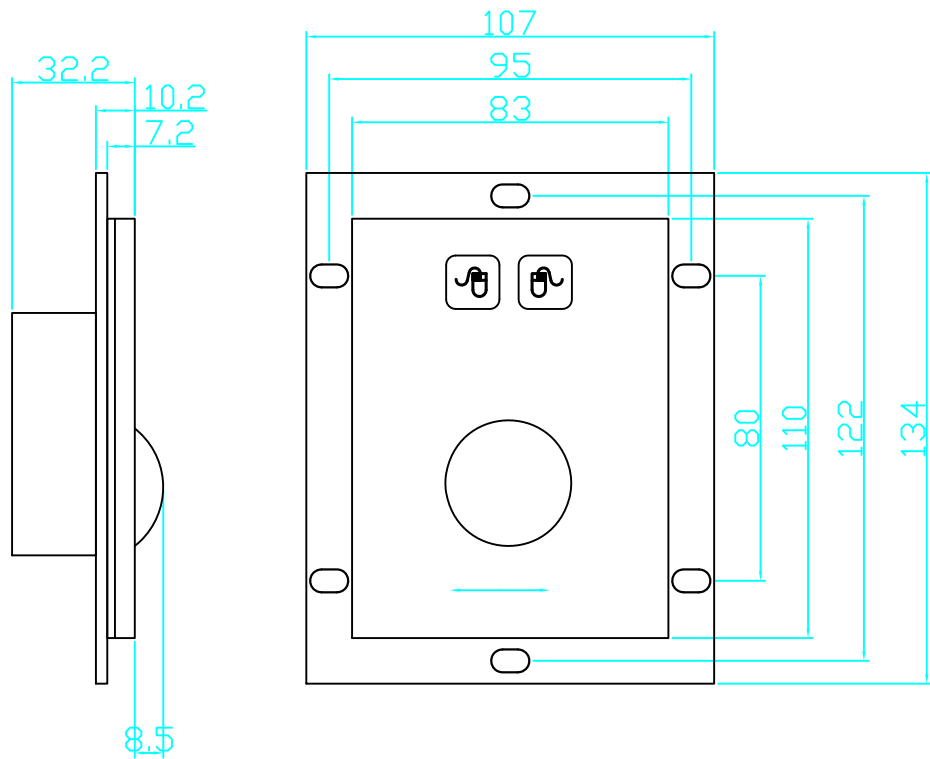


+44 (0) 1477 505206

+44 (0) 1477 500656

sales@diamondhmi.co.uk

www.diamondhmi.co.uk



KT100



HMI Components Division
Diamond Electronics Limited



+44 (0) 1477 505206
+44 (0) 1477 500656
sales@diamondhmi.co.uk
www.diamondhmi.co.uk



HMI Components Division
Diamond Electronics Limited



+44 (0) 1477 505206
+44 (0) 1477 500656
sales@diamondhmi.co.uk
www.diamondhmi.co.uk