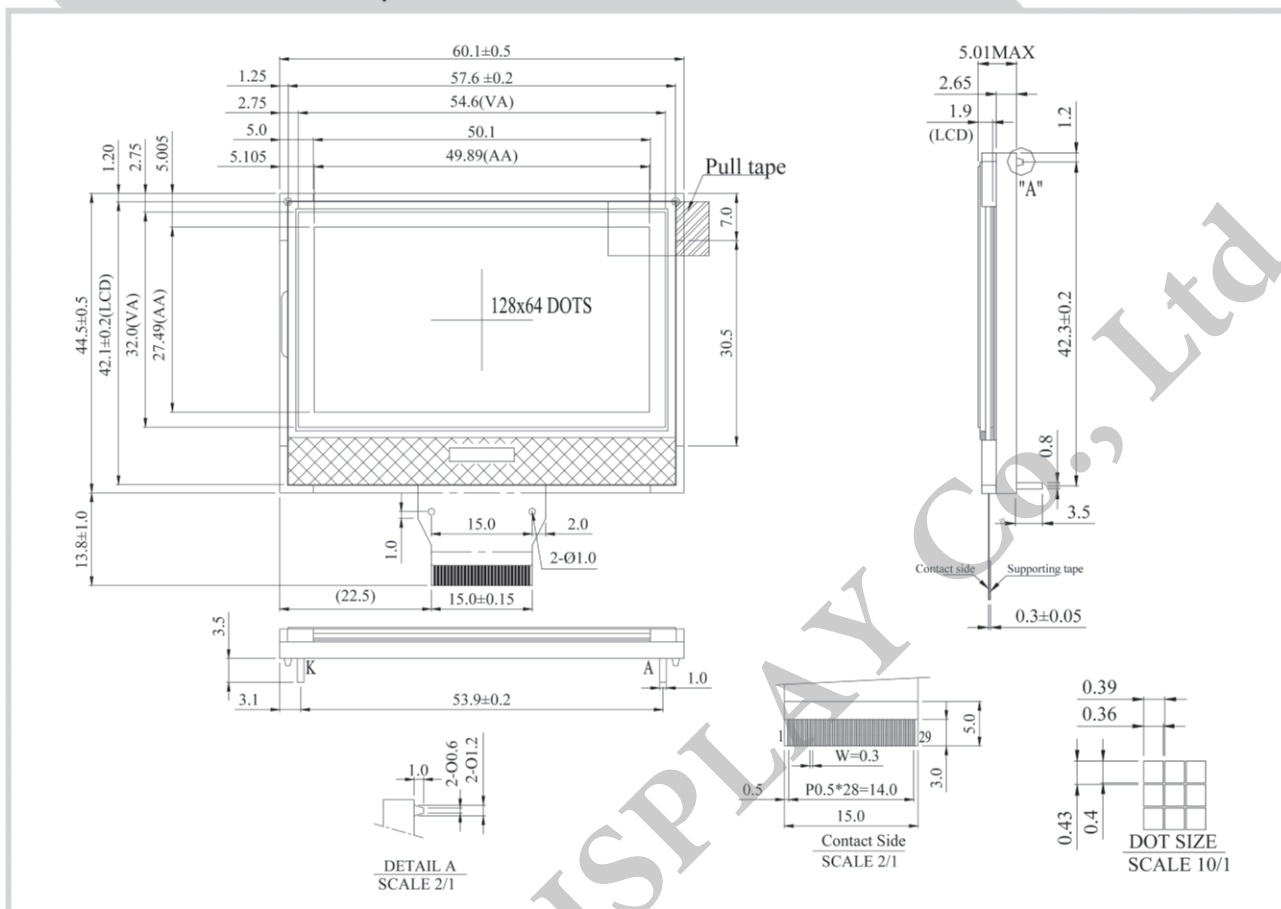


WO12864A1 Graphic 128x64



Feature

- 1. Built-in controller (ST7565P or equivalent)
- 2. 3.3V power supply
- 3. 1/65 duty cycle

Pin No.	Symbol	Description
1	P/S	Selects the interface type: Serial or Parallel.
2	C86	Interface selection 6800/8080
3	VR	LCD Contrast Adjustment when IRS = "L"
4~8	V0~V4	Bias voltage levels for LCD driving
9	CAP2N	DC/DC voltage converter.
10	CAP2P	DC/DC voltage converter.
11	CAP1P	DC/DC voltage converter.
12	CAP1N	DC/DC voltage converter.
13	CAP3P	DC/DC voltage converter.
14	Vout	Positive Voltage output
15	V _{SS}	Ground
16	V _{DD}	Power supply for logic
17~24	D7~ D0	Data bus line
25	/RD(E)	8080 family: Read signal, 6800 family: Enable clock
26	/WR(R/W)	8080 family: Write signal, 6800 family: Read/Write signal
27	A0	Data/ Instruction select signal
28	/RES	Controller reset signal, Active Low
29	/CS1	This is the chip select signal.

Mechanical Data

Item	Standard Value	Unit
Module Dimension	60.1 x 44.5	mm
Viewing Area	54.6 x 32.0	mm
Dot Pitch	0.39 x 0.43	mm
Dot Size	0.36 x 0.40	mm

Electrical Characteristics

Item	Symbol	Standard Value	Unit
		typ.	
Input Voltage	VDD	3.0	V
Recommended LCD Driving Voltage for Normal Temp. Version module @25°C	Vo-Vss	9.50	V