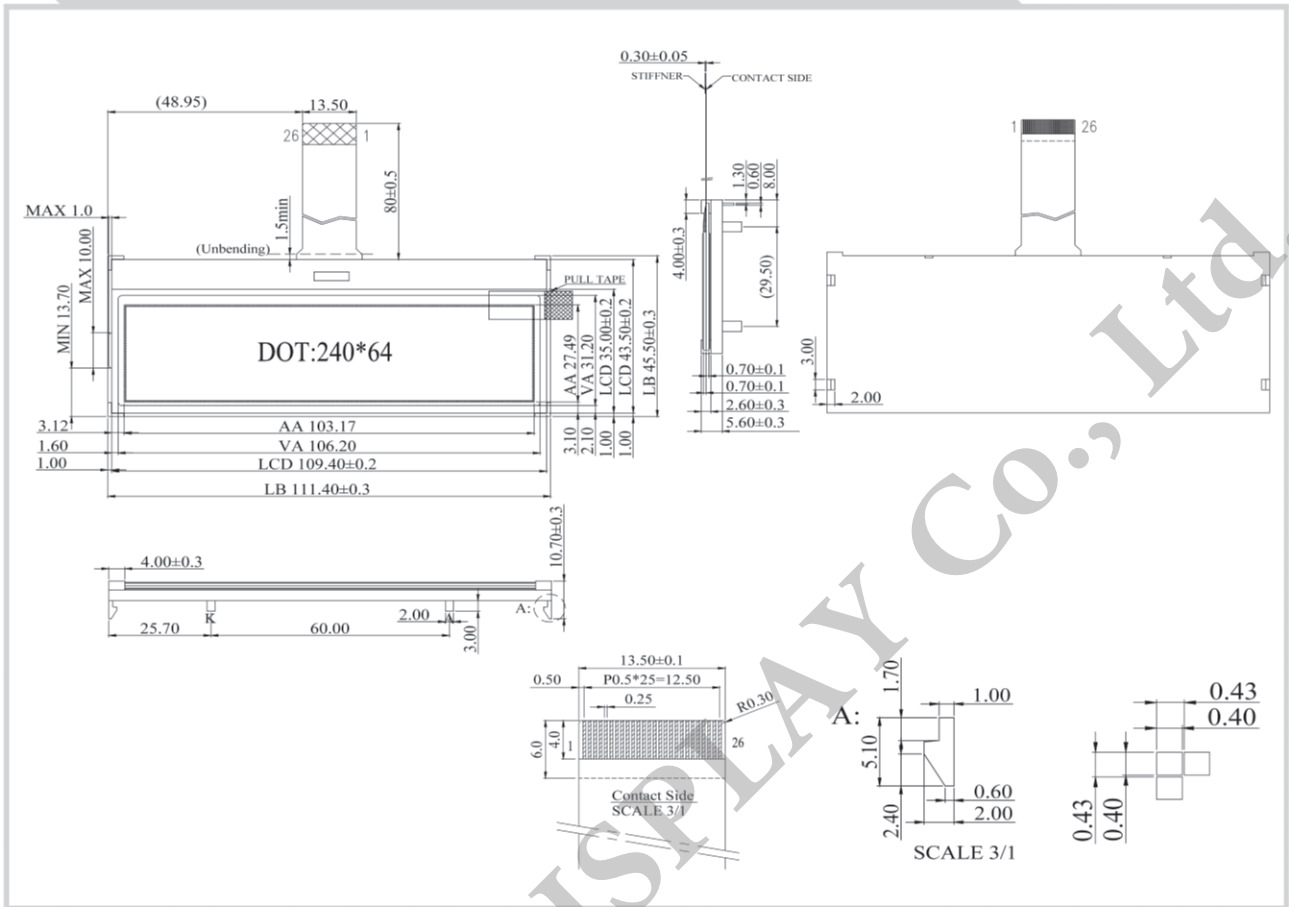


WO24064C Graphic 240x64



Feature

1. 240x64 dots includes cursor
2. Built-in controller ST7586S
3. 3.3V power supply
4. 1/64 duty cycle

Pin No.	Symbol	Description
1	VG	VG is the power of SEG-drivers.
2	XV0	Negative operating voltage of COM-drivers.
3	V0	Positive operating voltage for Vop generator.
4	VM	VM is the non-select voltage level of COM-drivers.
5	VDDA	Analog power for internal booster.
6	V _{SS}	Ground
7	VD1	VD1 is the power source of digital circuits.
8	VDDI	Power of interface I/O circuit.
9	CSB	Chip select input pins
10	IF3	These pins select interface operation mode.
11	IF2	"110" : 80 series • "100" : 68 series • "011" : SPI-4
12	IF1	• "010" : SPI-3
13	RSTB	Controller reset signal, Active Low
14	/RD(E)	8080 family: Read signal, 6800 family: Enable clock
15	D7	Data bus line
16	D6	Data bus line
17	D5	Data bus line
18	D4	Data bus line
19	D3	Data bus line
20	D2	Data bus line
21	D1	Data bus line
22	D0	Data bus line
23	NC	No connection
24	/WR(RW)	8080 family: Write signal, 6800 family: Read/Write signal
25	A0(SCL)	Data/ Instruction select signal / In serial mode used as SCL (serial-clock)
26	V _{SS}	Ground

Mechanical Data

Item	Standard Value	Unit
Module Dimension	111.4 x 45.5	mm
Viewing Area	106.20 x 31.20	mm
Dot Pitch	0.43 x 0.43	mm
Dot Size	0.40 x 0.40	mm

Electrical Characteristics

Item	Symbol	Standard Value	Unit
		typ.	
Input Voltage	VDD	3.3	V
Recommended LCD Driving Voltage for Normal Temp. Version module @25°C	V _o -XV _o	10.0	V