

MPB19 Series

19mm Metal Pushbutton Switches



SPECIFICATIONS

RATING : Ith 5A/250VAC resistive load 3A/250VAC
CONTACT RESISTANCE : 50 mΩ max. @ 1A 12VDC (initial value)
INSULATION RESISTANCE : 1,000 MΩ min. at 500VDC
DIELECTRIC STRENGTH : 2,000V RMS @ sea level
OPERATION TEMPERATURE : -20°C to 55°C
MECHANICAL LIFE : Momentary 1,000,000 cycles
 Self-lock 500,000 cycles
ELECTRICAL LIFE : 50,000 make-and-break cycles at full load
TORQUE : 5~14Nm
PANEL THICKNESS : 10mm (Ø19.20mm)
OPERATION PRESSURE : 1Pole 2.5±1N / 2Poles 3.5±1N
TRAVEL : About 3.2mm
INGRESS PROTECTION : IP67, IK10(Stainless)

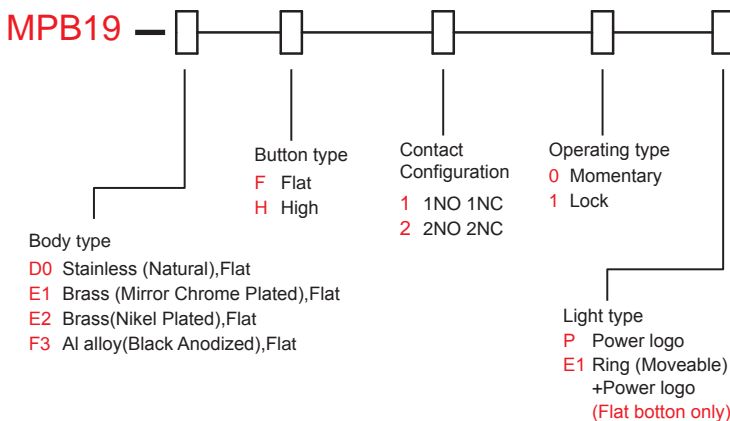
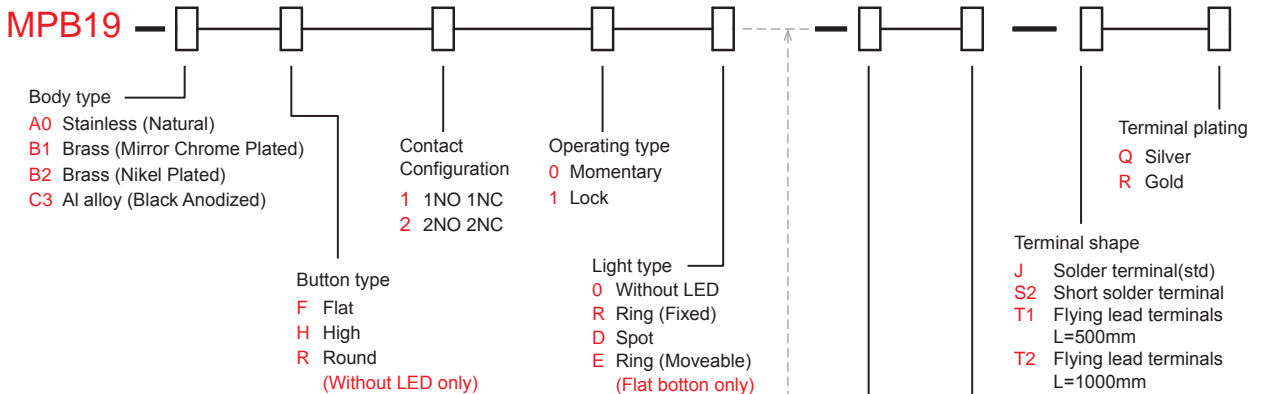
MATERIALS

BUSHING : Stainless Steel / Nickel plated brass / Aluminum alloy
BASE : PBT(UL 94-V0) , PC(UL 94-V2)
ACTUATOR : PC(UL 94-V2) ; Stainless Steel / Nickel plated brass / Aluminum alloy
INNER ASSEMBLY : POM / PA66.
SPRING : Spring steel.
SEALING : Silicone.
O-Ring : Silicone.
TERMINAL : Brass, with silver or gold plated.
CONTACT :
 Q=Copper ,Silver plated.
 R=Brass, Coin silver, Gold plated
HEX NUT : Nickel plated brass.

HOW TO ORDER



MODEL NO. BODY TYPE BUTTON TYPE CONTACT CONFIGURATION OPERATING TYPE LIGHT TYPE LED COLOR LED VOLTAGE TERMINAL SHAPE TERMINAL PLATING



LED Color		LED Voltage (20mA)	
ITEM NO	COLOR	ITEM NO	VOLTAGE
0	Without LED	0	Without Resistor
1	White	3	3V
3	Red	6	6V
5	Yellow	12	12V
6	Green	24	24V
7	Blue	36	36V
DUAL COLOR LED			
A	Red&Green	110	110V
B	Red&Blue	220	220V
D	Blue&Yellow		
G	Red&Yellow		
H	Green&Yellow		
J	Orange&Green		

EXAMPLE:
 MPB19-A0F100-JQ (Without LED)
 MPB19-A0F10R- [] - [] - JQ
 LED color — LED voltage

MPB19 Pushbutton Switches

MPB19 Series

19mm Metal Pushbutton Switches

CIRCUIT

POSITION 1

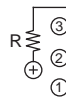
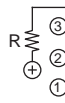
POSITION 2



Without LED (1 Pole)

POSITION 1

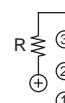
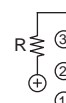
POSITION 2



Single Color Led (1 Pole)

POSITION 1

POSITION 2



Dual Color Led (1 Pole)

POSITION 1

POSITION 2



Without LED (2 Poles)

POSITION 1

POSITION 2



Single Color Led (2 Poles)

POSITION 1

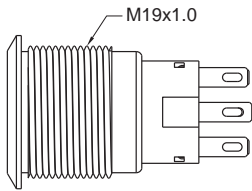
POSITION 2



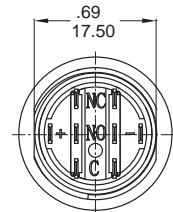
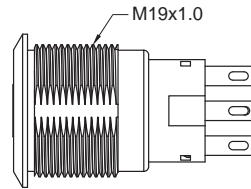
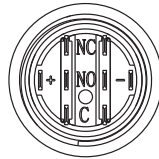
Dual Color Led (2 Poles)

BODY TYPE

A0/B1/B2/C3 Body

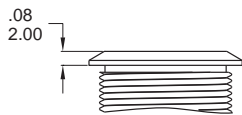


D0/E1/E2/F3 Body (Flat)



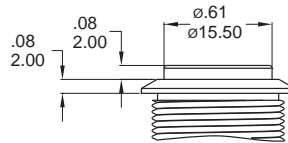
BUTTON TYPE

F Flat Button

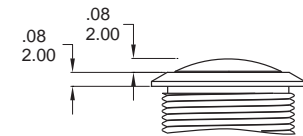


H High Button

* Ring (Moveable) light type is inapplicable

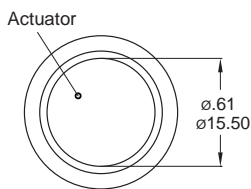


R Round Button

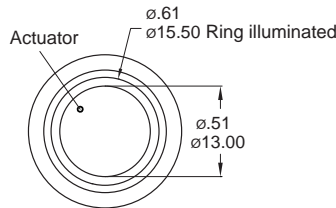


LIGHT TYPE

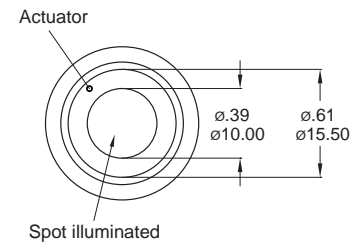
O Without LED



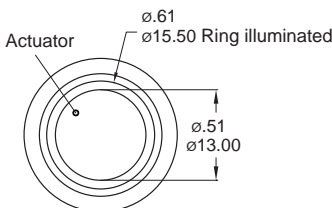
R Ring (Fixed)



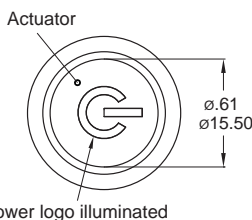
D Spot



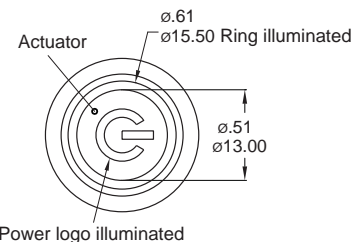
E Ring (Moveable)



P Power logo



E1 Ring (Moveable)+Power logo



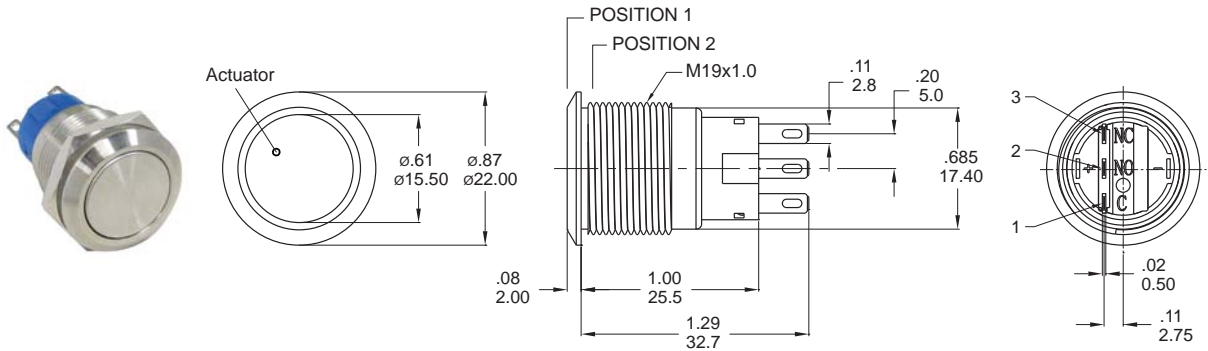
* Only for A0,B1,B2,C3 body.

* Only for D0,E1,E2,F3 body.

* E1 light type only for D0,E1,E2,F3 body.

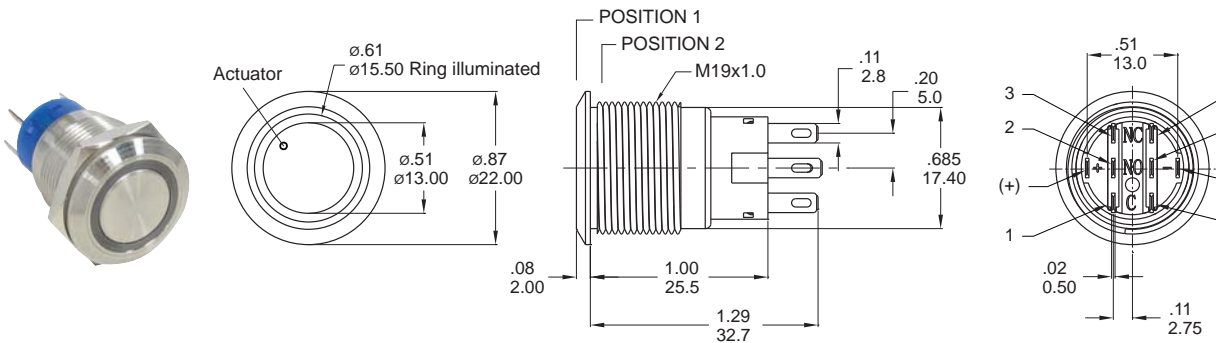
FLAT BUTTON TYPE

0 Without LED



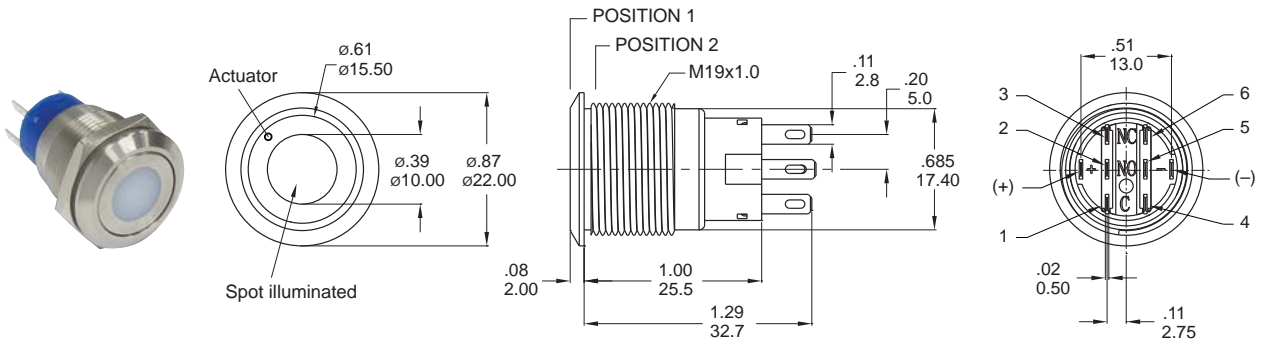
Part No. Shown : MPB19-A0F1□0-JQ

R Ring (Fixed)



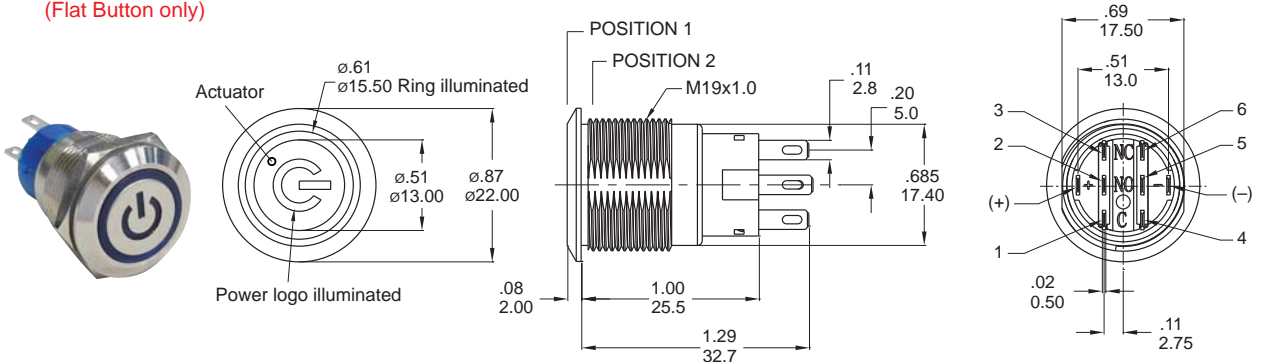
Part No. Shown : MPB19-A0F2□R-□□-JQ

D Spot



Part No. Shown : MPB19-A0F2□D-□□-JQ

E1 Ring (Moveable)+Power logo
(Flat Button only)



Part No. Shown : MPB19-D0F2□E1-□□-JQ

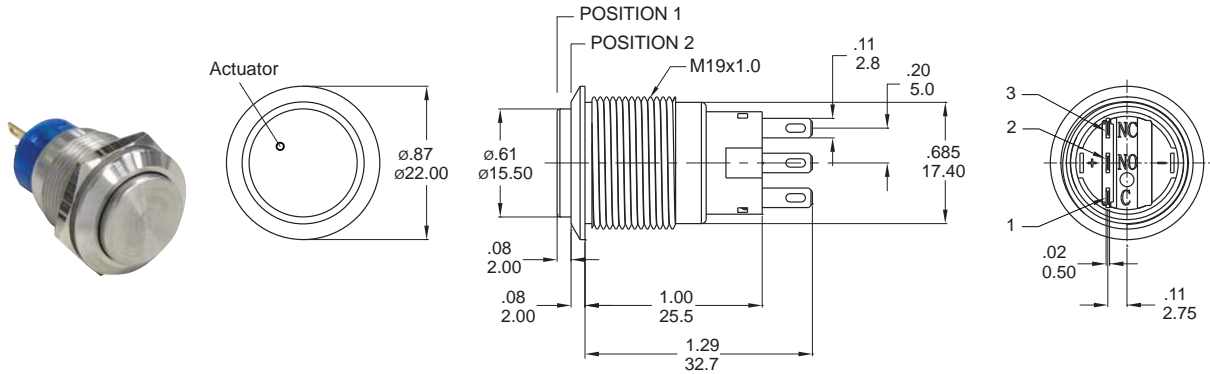
MPB19
Pushbutton Switches

MPB19 Series

19mm Metal Pushbutton Switches

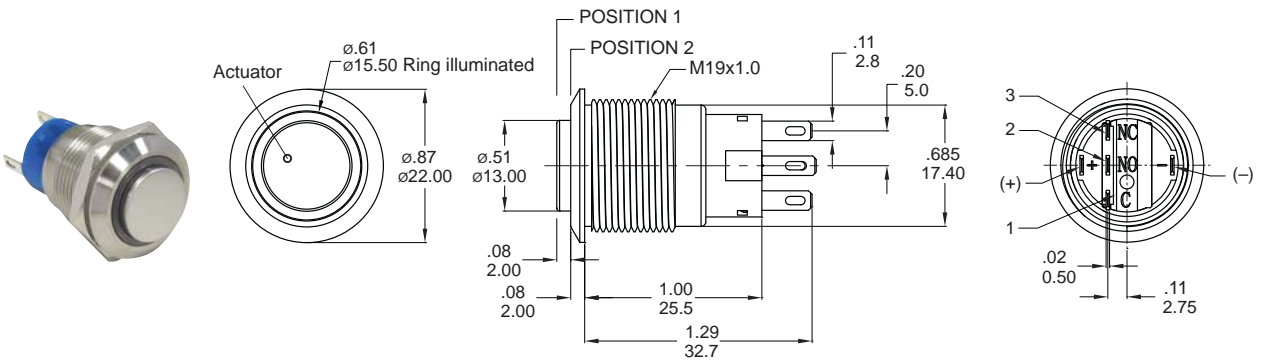
HIGH BUTTON TYPE

O Without LED



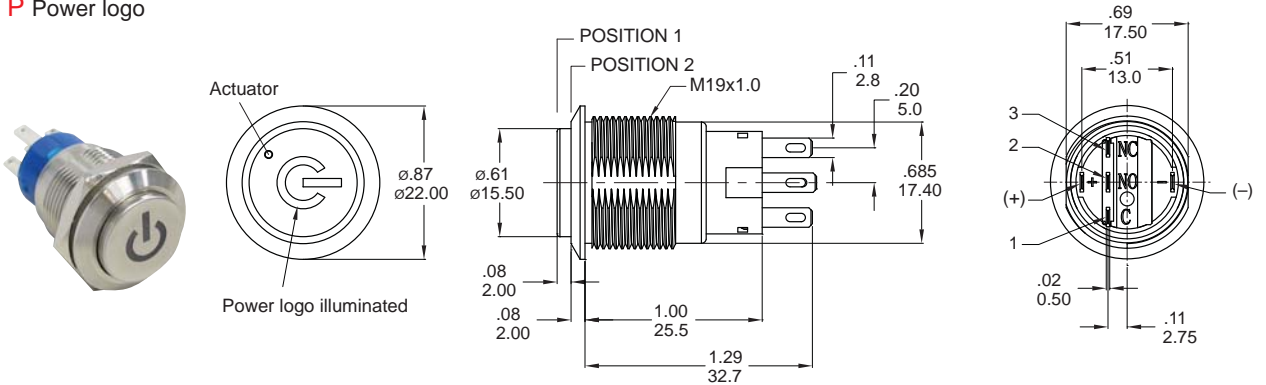
Part No. Shown : MPB19-A0H1□□0-JQ

R Ring (Fixed)



Part No. Shown : MPB19-A0H1□R-□□-JQ

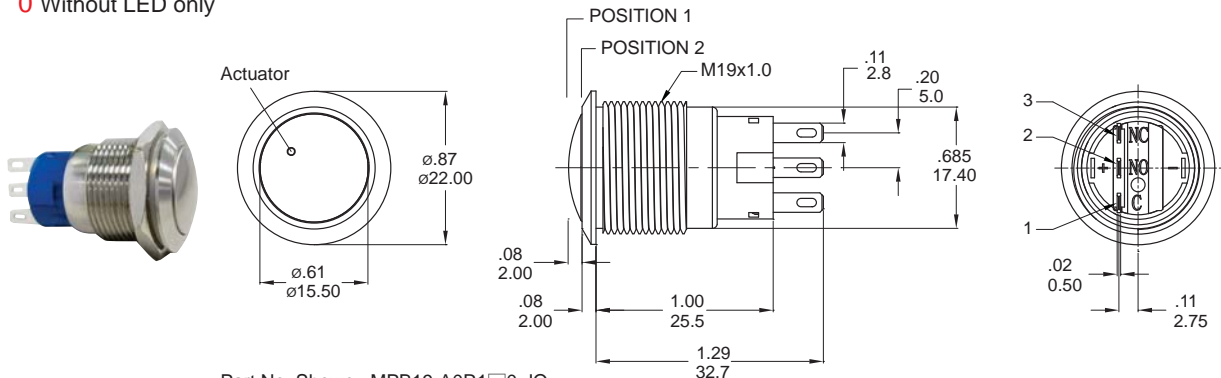
P Power logo



Part No. Shown : MPB19-D0H1□P-□□-JQ

ROUND BUTTON TYPE

O Without LED only



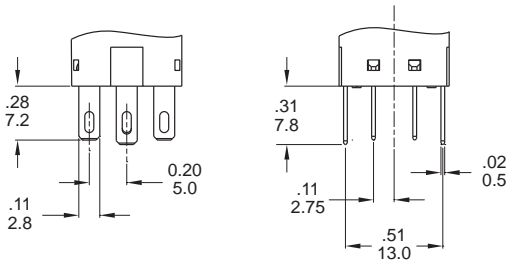
Part No. Shown : MPB19-A0R1□□0-JQ



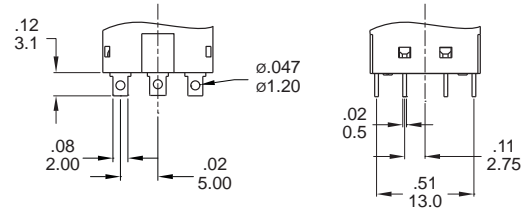
MPB19
Pushbutton Switches

TERMINAL TYPE

J Solder terminal (std)

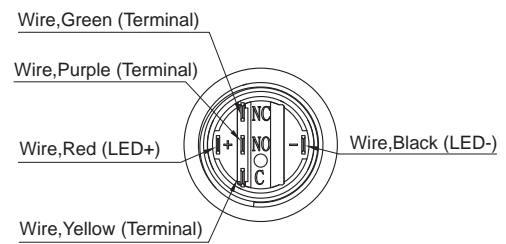
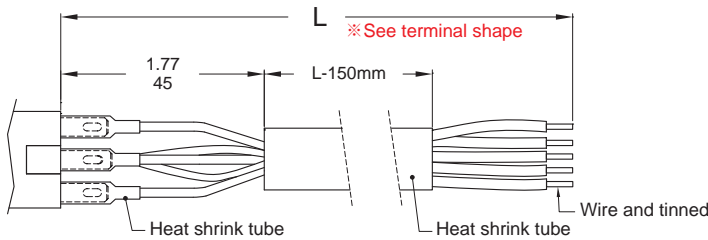


S2 Short solder terminal



Wire (Flying lead Terminals)

※ Wire=UL 3385,18AWG,300V(Black/Yellow/Green/Red/Purple)

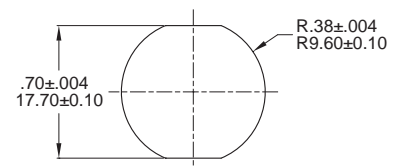
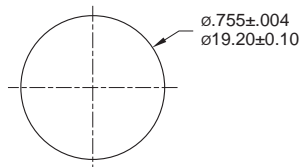


O/R/D/E Light Type

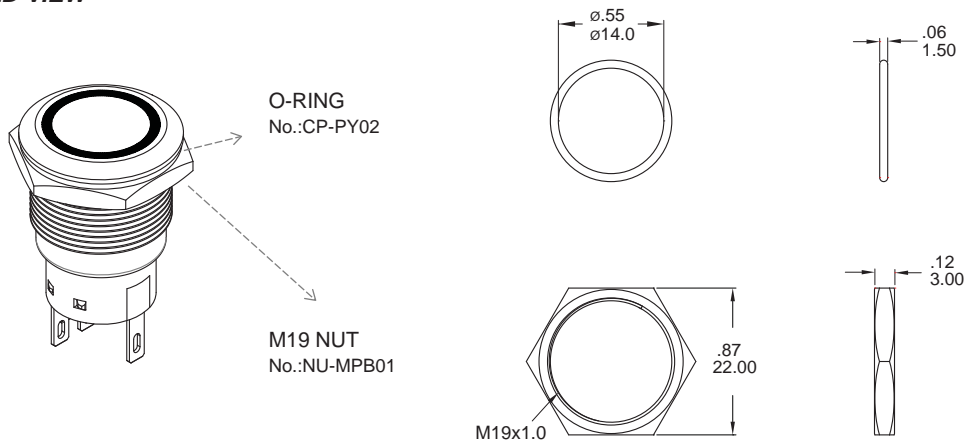
P Light Type

PANEL MOUNTING

Max. Panel thickness: 10.0mm[.39]



ASSEMBLED VIEW



O-RING INSTALLATION

Proposal	In front of the panel	Behind the panel
Installation Diagram		

