

# MPB22 Series

22mm Metal Pushbutton Switches



## SPECIFICATIONS

- RATING** : Ith 5A/250VAC resistive load 3A/250VAC
- CONTACT RESISTANCE** : 50 mΩ max. @ 1A 12VDC (initial value)
- INSULATION RESISTANCE** : 1,000 MΩ min. at 500VDC
- DIELECTRIC STRENGTH** : 2,000V RMS @ sea level
- OPERATION TEMPERATURE** : -20°C to 55°C
- MECHANICAL LIFE** : Momentary 1,000,000 cycles  
Self-lock 500,000 cycles
- ELECTRICAL LIFE** : 50,000 make-and-break cycles at full load
- TORQUE** : 5~14Nm
- PANEL THICKNESS** : 10mm (Ø22.20mm)
- OPERATION PRESSURE** : 1Pole 2.5±1N / 2Poles 3.5±1N
- TRAVEL** : About 3.2mm
- INGRESS PROTECTION** : IP67, IK10(Stainless)

## MATERIALS

- BUSHING** : Stainless Steel / Aluminum alloy
- BASE** : PBT(UL 94-V0) , PC(UL 94-V2)
- ACTUATOR** : PC; Stainless Steel / Aluminum alloy
- INNER ASSEMBLY** : POM / PA66.
- SPRING** : Spring steel.
- SEALING** : Sillicone.
- O-Ring** : Sillicone.
- TERMINAL** : Brass,with silver or gold plated.
- CONTACT** :  
Q=Copper ,Silver plated.  
R=Brass,Coin silver,Gold plated
- HEX NUT** : Nickel plated brass

## HOW TO ORDER

MODEL NO.	BODY TYPE	BUTTON TYPE	CONTACT CONFIGURATION	OPERATING TYPE	LIGHT TYPE	LED COLOR	LED VOLTAGE	TERMINAL SHAPE	TERMINAL PLATING
<b>MPB22</b>	Body type A0 Stainless (Natural) C3 Al alloy (Black Anodized)	Button type F Flat	Contact Configuration 1 1NO 1NC 2 2NO 2NC	Operating type 0 Momentary 1 Lock	Light type 0 Without LED E Ring (Moveable) E2 Illuminated Ring with led color ,red/green/blue availavle only			Terminal shape J Solder terminal(std) T1 Flying lead terminals L=500mm T2 Flying lead terminals L=1000mm T3 Flying lead terminals L=1500mm T4 Flying lead terminals L=2000mm	Terminal plating Q Silver R Gold
<b>MPB22</b>	Body type D0 Stainless (Natural),Flat	Button type F Flat	Contact Configuration 1 1NO 1NC 2 2NO 2NC	Operating type 0 Momentary 1 Lock	Light type E1 Illuminated ring with power logo only availavle in white cap E3 Illuminated ring with power logo with led color,red/green/blue availavle only				

LED Color		LED Voltage (20mA)	
ITEM NO	COLOR	ITEM NO	VOLTAGE
0	Without LED	0	Without Resistor
1	White	3	3V
3	Red	6	6V
5	Yellow	12	12V
6	Green	24	24V
7	Blue	36	36V
<b>DUAL COLOR LED</b>			
A	Red&Green	110	110V
B	Red&Blue	220	220V
D	Blue&Yellow		
G	Red&Yellow		
H	Green&Yellow		
J	Orange&Green		

EXAMPLE:  
 MPB22-A0F100-JQ (Without LED)  
 MPB22-A0F10E-□-JQ  
 LED color      LED voltage



MPB22 Pushbutton Switches

## CIRCUIT

POSITION 1

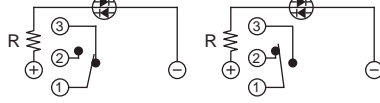


Without LED (1 Pole)

POSITION 2

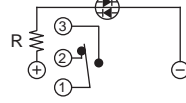


POSITION 1

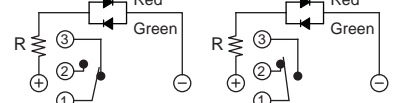


Single Color Led (1 Pole)

POSITION 2

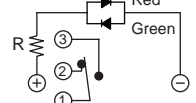


POSITION 1

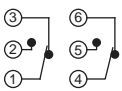


Dual Color Led (1 Pole)

POSITION 2

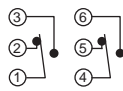


POSITION 1

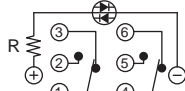


Without LED (2 Poles)

POSITION 2

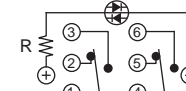


POSITION 1

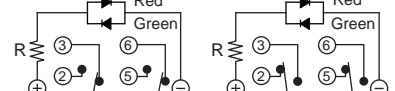


Single Color Led (2 Poles)

POSITION 2

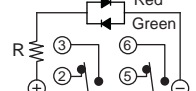


POSITION 1



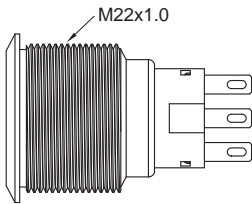
Dual Color Led (2 Poles)

POSITION 2

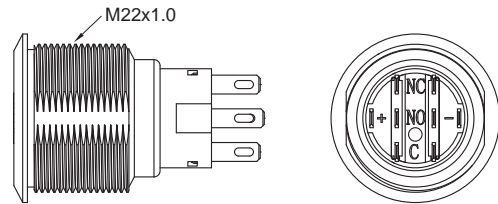


## BODY TYPE

A0/C3 Body

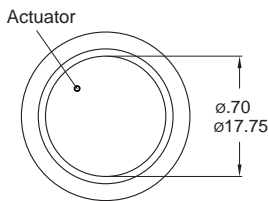


D0 Body (Flat)

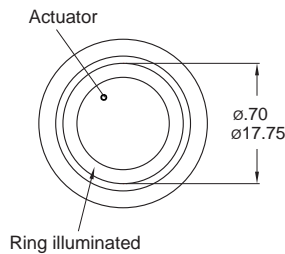


## LIGHT TYPE

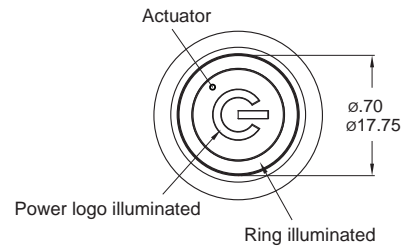
0 Without LED



E Ring (Moveable)



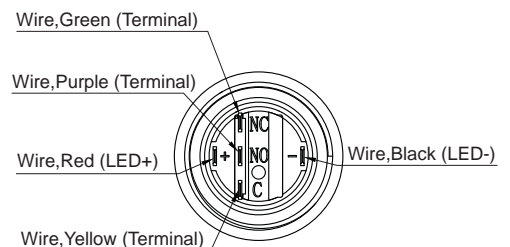
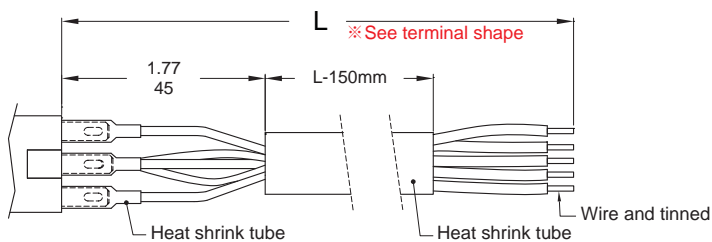
E3 Ring+Power logo



\* Only for D0 body.

## Wire (Flying lead Terminals)

\* Wire=UL 3385, 18AWG, 300V (Black/Yellow/Green/Red/Purple)

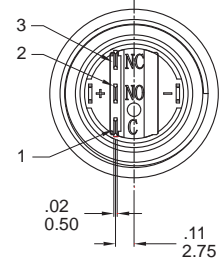
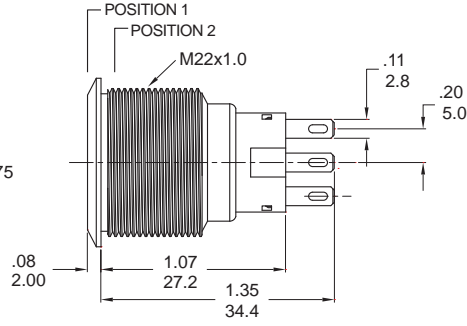
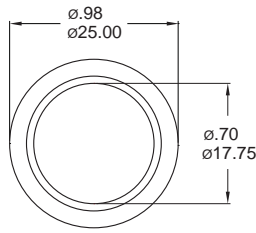


# MPB22 Series

22mm Metal Pushbutton Switches

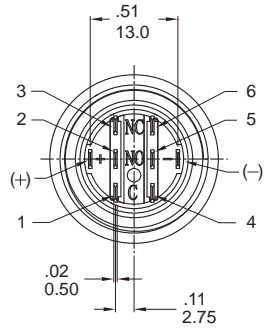
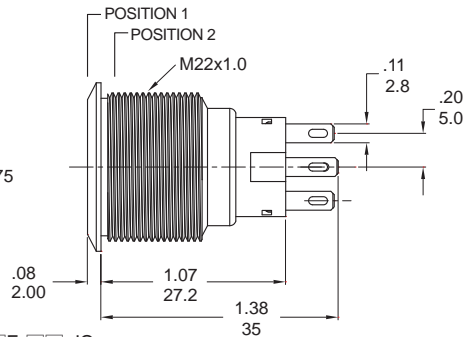
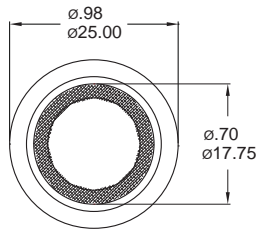
## LIGHT TYPE

0 Without LED



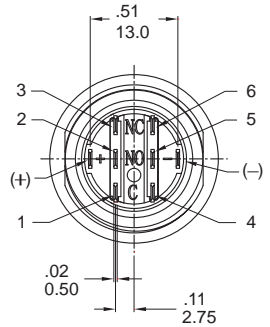
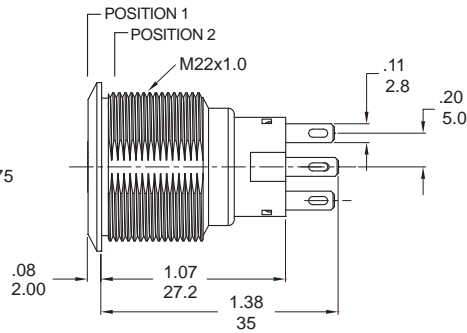
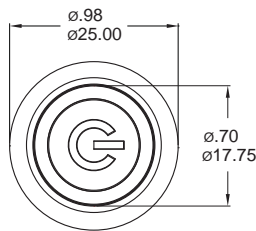
Part No. Shown : MPB22-A0F1□0-JQ

E Ring (Moveable)



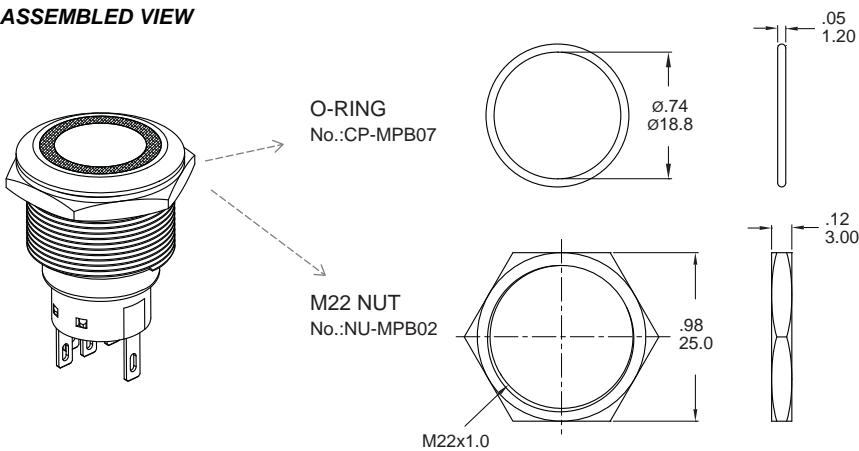
Part No. Shown : MPB22-A0F2□E-□□-JQ

E3 Ring+Power logo



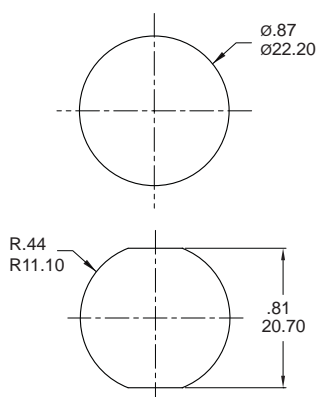
Part No. Shown : MPB22-D0F2□E3-□□-JQ

### ASSEMBLED VIEW



### PANEL MOUNTING

Max. Panel thickness: 10.0mm [.39]



### O-RING INSTALLATION

Proposal	In front of the panel	Behind the panel
Installation Diagram		