

MW25 Series

25mm High Current Metal Pushbutton Switches



SPECIFICATIONS

- RATING** : 16A, 26A 250/125VAC.
- CONTACT RESISTANCE** : 50 mΩ max. @ 1A 12VDC (initial value)
- INSULATION RESISTANCE** : 100 MΩ min. at 500VDC
- DIELECTRIC STRENGTH** : 1,500V RMS @ sea level
- OPERATION TEMPERATURE** : -25°C to 85°C
- MECHANICAL LIFE** : Momentary 1,000,000 cycles
Latching 500,000 cycles
- ELECTRICAL LIFE** : 16A /125&250VAC 50,000 CYCLES
26A /125&250VAC 10,000 CYCLES
- OPERATION PRESSURE** : 3.5±1.5N
- TRAVEL** : About 3.2mm
- INGRESS PROTECTION** : IP67, IK08(Stainless)
- TORQUE**: 1~3Nm.

MATERIALS

- BUSHING** : Stainless Steel / Aluminum alloy
- BASE** : PBT(UL 94-V0) , PC(UL 94-V2)
- ACTUATOR** : PC ; Stainless Steel / Aluminum alloy
- INNER ASSEMBLY** : POM / PA66.
- SPRING** : Steel.
- SEALING** : Silicone.
- O-Ring** : Silicone.
- TERMINAL**: Brass ,Silver plated.
- HEX NUT** : Nickel plated brass.

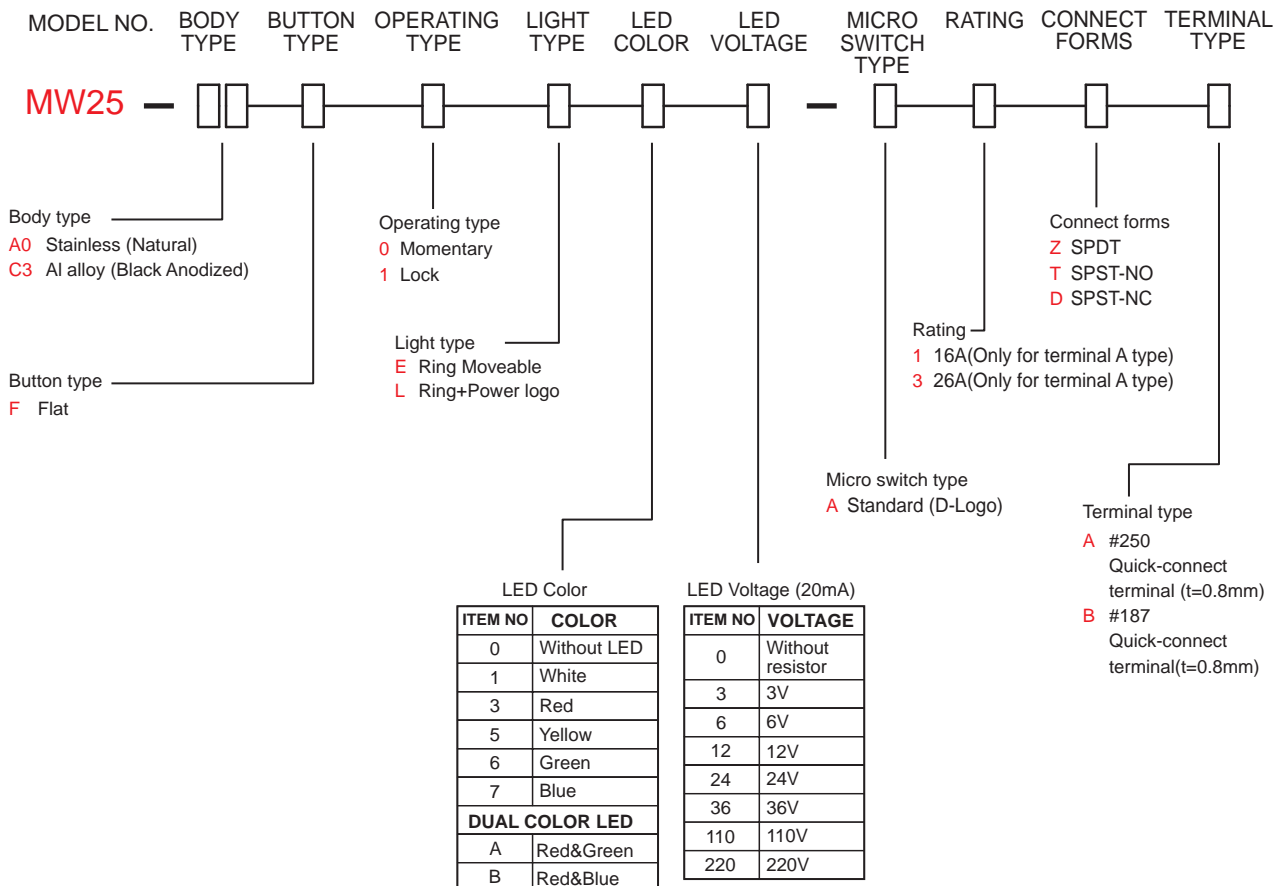


IP 67
ACCORDING TO
EN 60529:1991+A1:2001
IEC 60529:2001



MW25 Pushbutton Switches

HOW TO ORDER



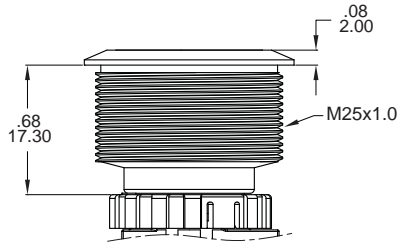
EXAMPLE:
MW25-A0F0E00-A3ZA (Without LED)
MW25-A0F0E [] [] -A3ZA
LED color [] LED voltage []

MW25 Series

25mm High Current Metal Pushbutton Switches

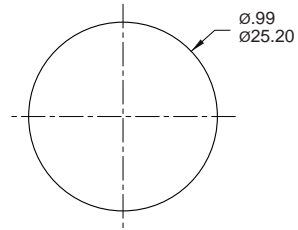
BODY TYPE

A0/C3



PANEL MOUNTING

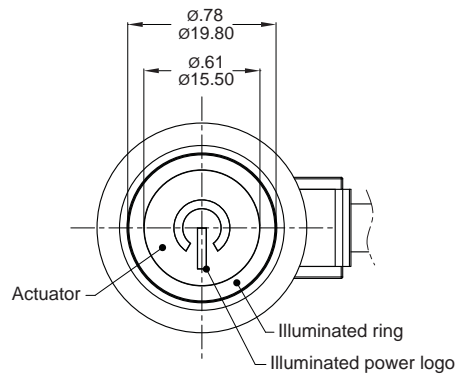
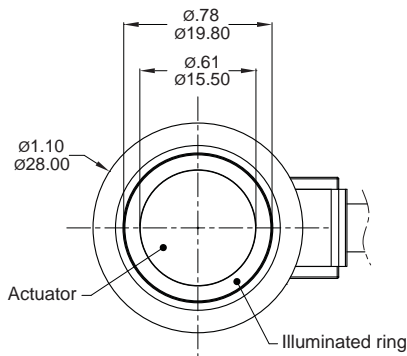
Max. Panel thickness: 10.0mm [.39]



LIGHT TYPE

E Ring Moveable

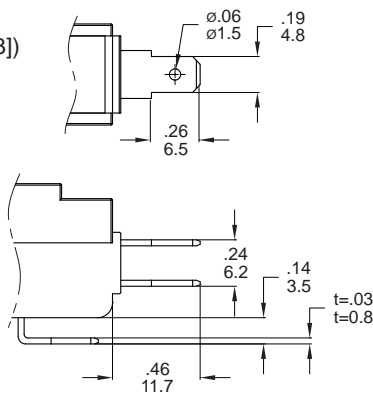
L Ring+Power logo



TERMINAL TYPE

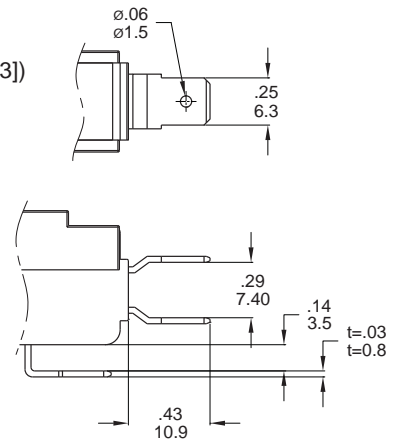
#187 Only 16A

Quick-connect terminal (t=0.8mm [.03])

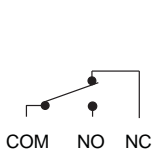


#250 Only 26A

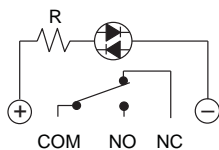
Quick-connect terminal (t=0.8mm [.03])



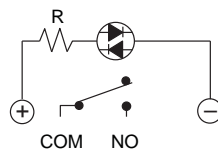
CIRCUIT



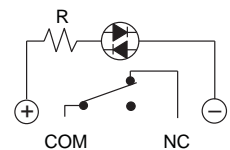
Non-LED



SPDT



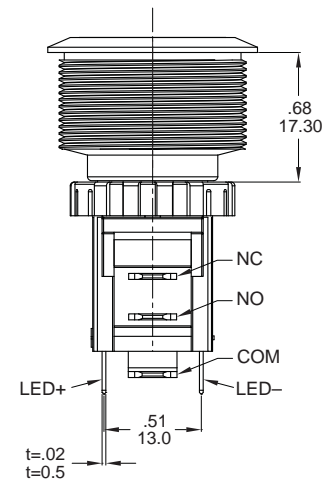
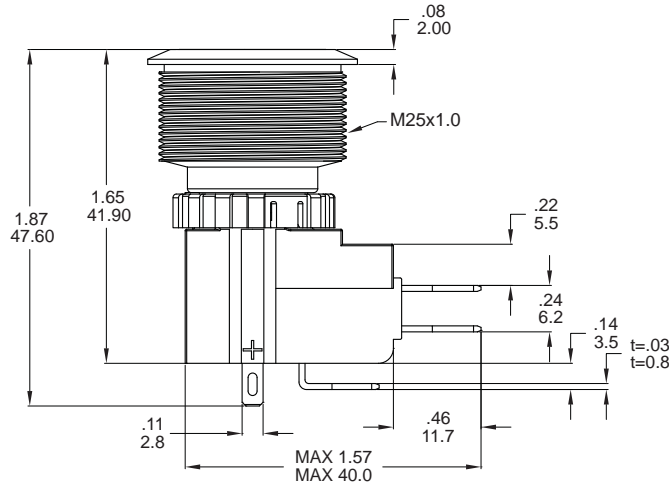
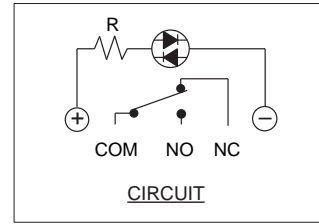
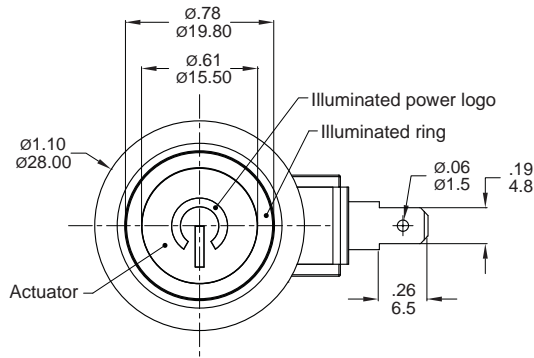
SPST-NO



SPST-NC

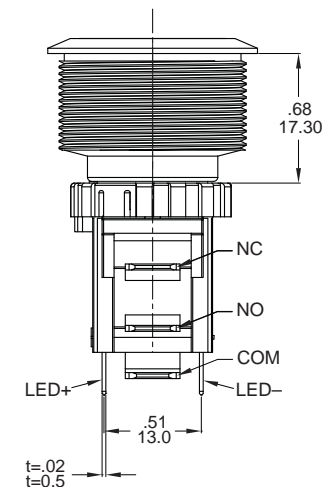
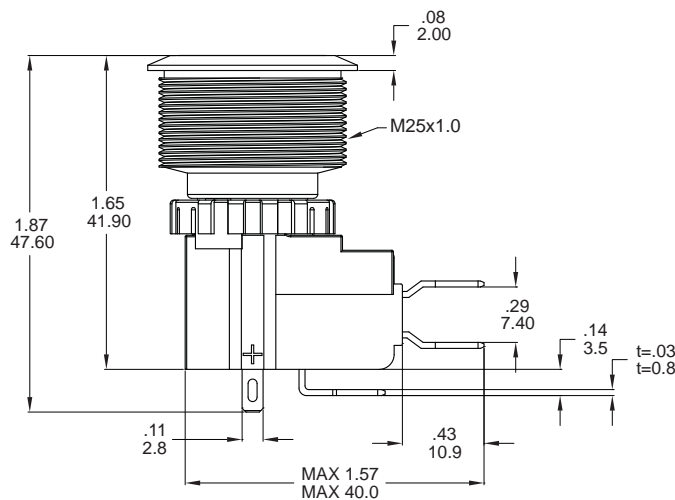
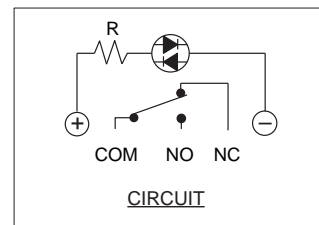
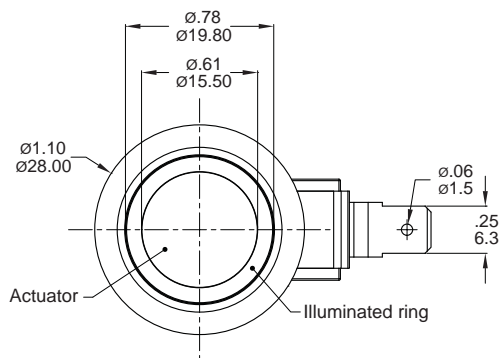
DIMENSION

L Ring+Power logo



Part No. Shown : MW25-A0F1L1□-A1ZB

E Ring Moveable



Part No. Shown : MW22-A0F0E7□-A3ZA



MW25
Pushbutton Switches