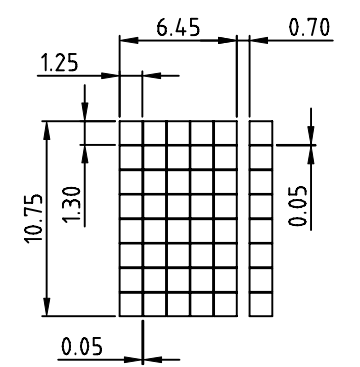
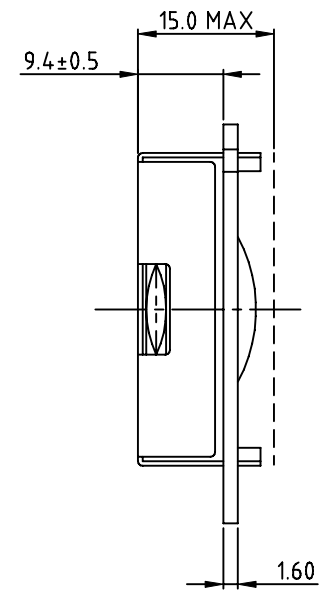
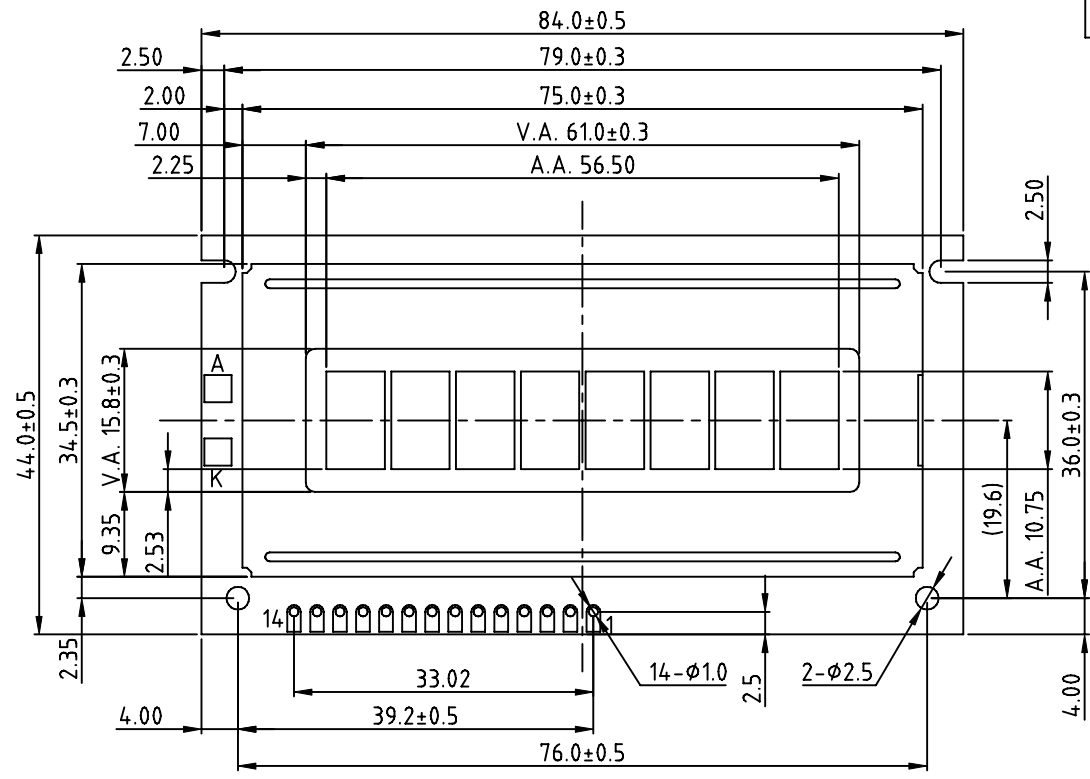


REV	Description	Date
A00	First Issue	2006-OCT-18




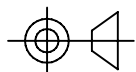
CHARACTERS SIZE
SCALE = 2:1

Pin Assignment:

1	2	3	4	5	6	7	8	9	10	11	12	13	14	K	A
VSS	VDD	V0	RS	R/W	E	DB0	DB1	DB2	DB3	DB4	DB5	DB6	DB7	LED(-)	LED(+)

SPECIFICATIONS:

- 1)STN/+VE/Y-G/TRANSEFLCTIVE MODE
- 2)1/8 DUTY, 1/4 BIAS, VLCD=4.5V
- 3)VIEWING ANGLE= 6 O'CLOCK
- 4)OP.TEMP.=0°C TO +50°C
ST.TEMP.=-10°C TO +60°C
- 5) WITH Y-G LED BACKLIGHT,4.05V@90mA

Description:		MECHANICAL SPECIFICATIONS	
Scale:		 TRI-T COMPANY LIMITED	
Sheet : 1 of 1			
Unspecified Tol. ±0.3	Unit mm	Project Number TMBC81809SP-01	Item Number
Approvals	Date		
Draw:		Do Not Scale This Drawing	 Projection
Check:			
Approve:			