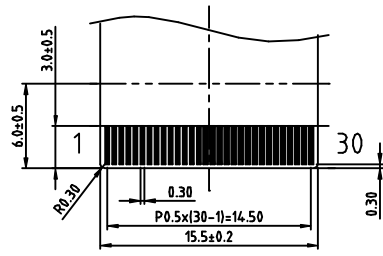
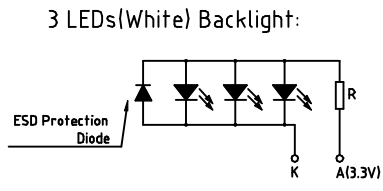
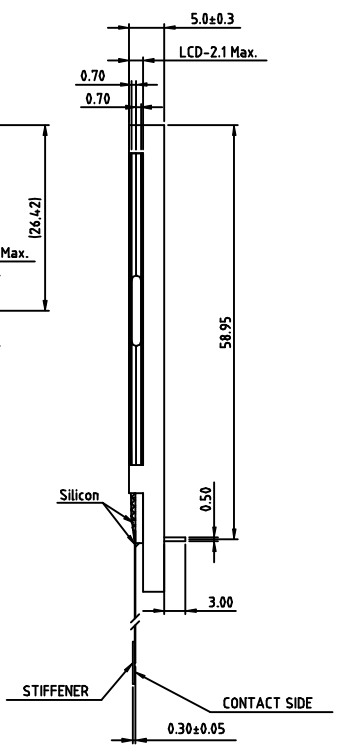
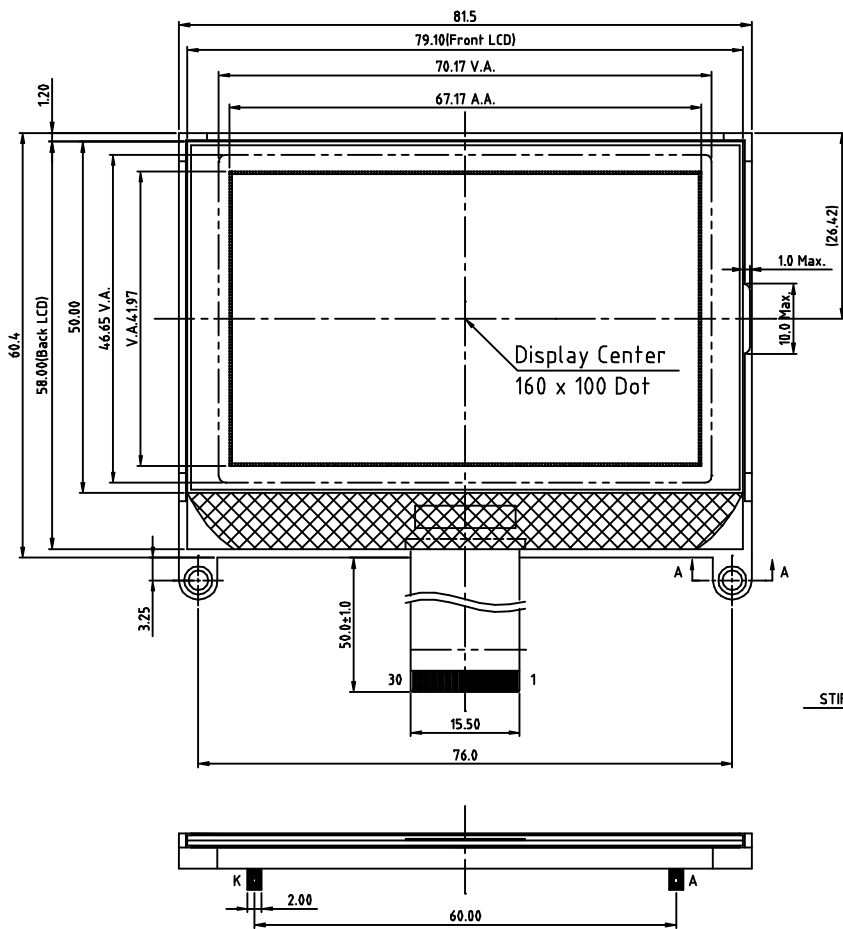
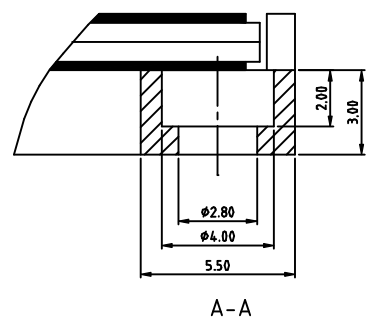


REV	Description	Date
A02	Change Design	2005-JUN-03



FPC CONTACT SIDE
Scale=2:1

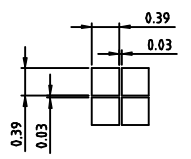


A-A

Pin Assignment:

1	PS1
2	PS2
3	CS1B
4	RST
5	A0
6	RW WR
7	E-RD
8	DB0
9	DB1
10	DB2
11	DB3
12	DB4
13	DB5
14	DB6
15	DB7
16	VDD
17	VDD
18	VSS
19	VSS
20	VOUT
21	VIN
22	VREF
23	VEXT
24	INTRS
25	VR
26	V4
27	V3
28	V2
29	V1
30	V0

- SPECIFICATIONS:
- 1)FSTN/+VE/16 LEVEL GRAY SCALE/TRANSFLECTIVE MODE
 - 2)1/104 DUTY, 1/11 BIAS, VLCD=12V VDD=3V
 - 3)VIEWING ANGLE= 12 O'CLOCK
 - 4)OP.TEMP.=0°C TO +50°C
ST.TEMP=-20°C TO +60°C
 - 5) WITH WHITE 3 LEDs BACKLIGHT,3.3V@30mA
 - 6) Rohs COMPLIANCE
 - 7) Driver IC: ST7528



Dots Detail
Scale=10:1

Description: MECHANICAL SPECIFICATIONS

Scale: Sheet : 1 of 1

Unspecified Tol. ±0.3 Unit mm

Approvals Date Project Number Item Number

Draw: TMGG160100-01

Check:

Approve: Do Not Scale This Drawing

TRI-T COMPANY LIMITED

Projection