

X2-LC210 Series

Pushbutton Switches



SPECIFICATION

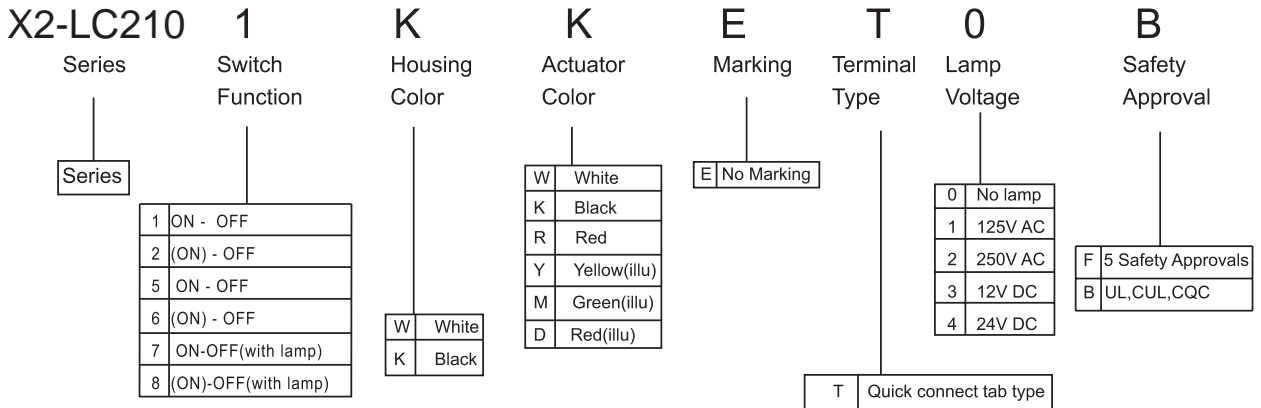
Electrical Rating : 16A 250VAC/125VAC(UL)
10(4)A 250VAC(VDE,ENEC)
Mechanical life: Over 30000 cycles
Electrical life: Over 10000 cycles
Contact resistance: <20mΩ(Initial)
Insulation resistance: >1000MΩ
High voltage resistance: >1500V 1 min.
Ambient temperature: Terminal side -20 to +85°C
Actuating side -20 to +55°C
Storage temperature: -30 to +85°C
Atmospheric humidity: Max.85%
Actuating force: 3 ~8N(Depends on different switch function)
Flammability: UL94 V-2
Temperature rise at the terminal: Max 30°C (UL1054)
Solder ability of terminal: Max 350°C, 3s

MATERIALS



Housing: PA66
Rocker: PC/PA66
Contacts: Silver alloy
Terminal: Brass silver plated
Spring: SWC
Movable Arm: C2680
Bracket: PA66



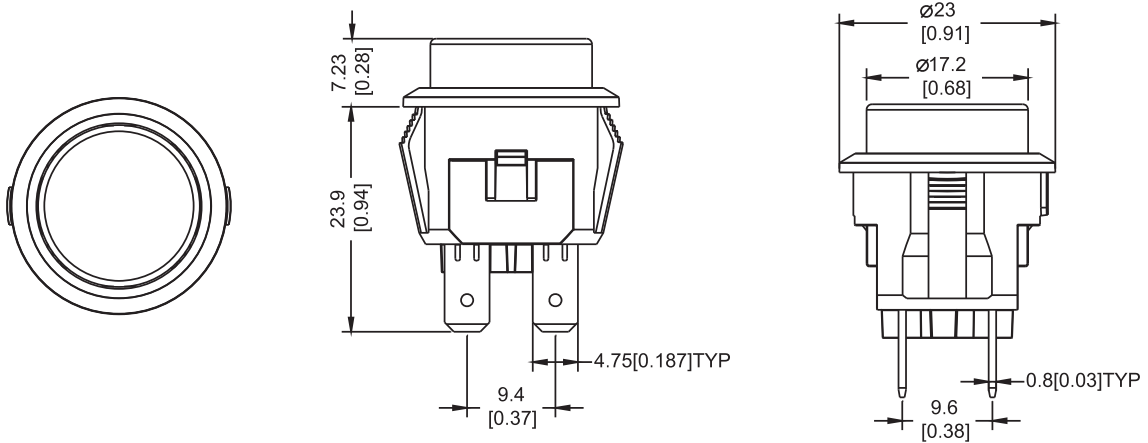
HOW TO ORDER



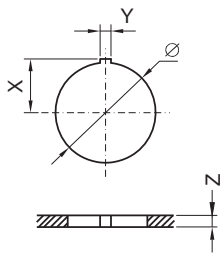
OPTIONS OF SWITCH FUNCTION

Item No	POLES & THROWS	Down	Center	Up
			••	
X2-LC2101	SPST	ON	None	OFF
X2-LC2102	SPST	(ON)	None	OFF
X2-LC2105	DPST	ON	None	OFF
X2-LC2106	DPST	(ON)	None	OFF
X2-LC2107	DPST(with lamp)	ON	None	OFF
X2-LC2108	DPST(with lamp)	(ON)	None	OFF

DIMENSION



PANEL CUT OUT



PANEL CUT OUT			
Z	Y	X	\varnothing
0.7~1.25	2	11	$\varnothing 20.5$
1.25~2.0	2	11	$\varnothing 20.5$
2.0~3.0	2	11	$\varnothing 20.5$

CIRCUITS FOR SWITCH WITH LAMP

