

X2-LC83 Series

Pushbutton Switches



SPECIFICATION

Electrical Rating : 15A 250VAC/125VAC(UL)
10(4)A 250VAC(VDE)

Mechanical life: Over 30000 cycles

Electrical life: Over 10000 cycles

Contact resistance: <20mΩ

Insulation resistance: >1000MΩ

High voltage resistance: >1500V 1 min.

Ambient temperature: Terminal side -20 to +85°C

Actuating side -20 to +55°C

Storage temperature: -30 to +80°C Max

Atmospheric humidity: Max.85%

Actuating force: 3 to 6N(Depends on different switch function)

Flammability: 94V-2

Temperature rise at the terminal: Max 30°C (UL1054)

Solder ability of terminal: Max 350°C, 3s

MATERIALS

Housing: PA66

Rocker: PC

Contacts: Silver alloy

Terminal: Copper silver plated

Spring: SUS

Movable Arm: Copper silver plated

Lamp: Neon Lamp, Tungsten Lamp



Bracket: PA66



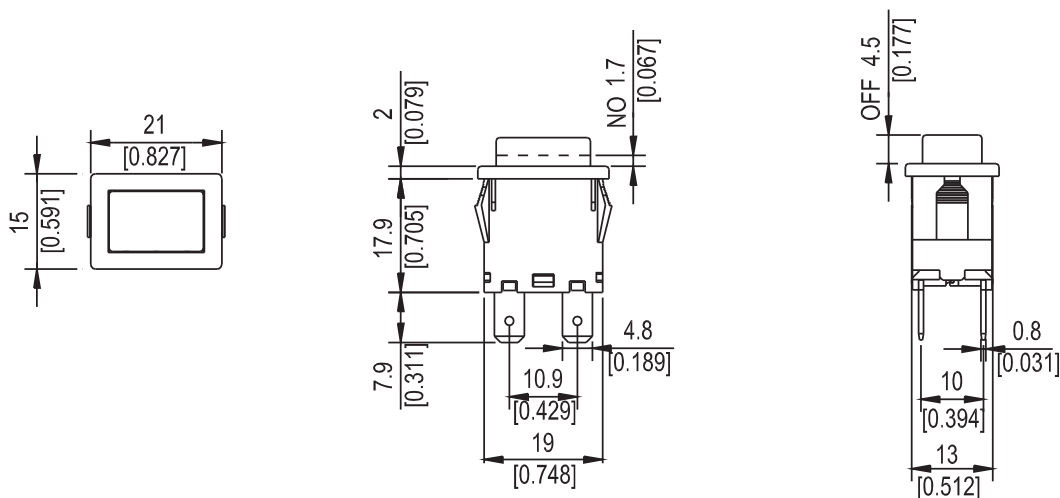
HOW TO ORDER

| | | | | | | | |
|--------------------------|-----------------|----------------|----------------|--------------|--------------------------|--------------|----------------------|
| X2-LC83 | 01 | K | K | E | T | 0 | C |
| Series | Switch Function | Housing Color | Actuator Color | Marking | Terminal Type | Lamp Voltage | Safety Approval |
| Series | | | | E No Marking | | | |
| 01 ON - OFF | | W White | W White | | | 0 No lamp | C 4 Safety Approvals |
| 02 (ON) - OFF | | K Black | K Black | | | 1 125V AC | E None Approvals |
| 03 ON-OFF (with lamp) | | R Red | R Red | | | 2 250V AC | |
| 04 (ON) - OFF(with lamp) | | Y Yellow(illu) | Y Yellow(illu) | | | 3 12V DC | |
| 05 ON - OFF | | M Green(illu) | M Green(illu) | | | 4 24V DC | |
| 06 (ON) - OFF | | D Red(illu) | D Red(illu) | | T Quick connect tab type | | |
| 07 ON-OFF(with lamp) | | | | | | | |
| 08 (ON)-OFF(with lamp) | | | | | | | |

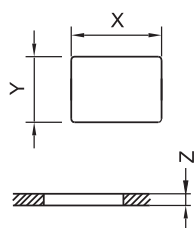
OPTIONS OF SWITCH FUNCTION

| Item No | POLES&THROWS | Push button position ():Momentary | | |
|-----------|-----------------|---|--------|---|
| | | Down | Center | Up |
| | |  | |  |
| X2-LC8301 | SPST | ON | None | OFF |
| X2-LC8302 | SPST | (ON) | None | OFF |
| X2-LC8303 | SPST(with lamp) | ON | None | OFF |
| X2-LC8304 | SPST(with lamp) | (ON) | None | OFF |
| X2-LC8305 | DPST | ON | None | OFF |
| X2-LC8306 | DPST | (ON) | None | OFF |
| X2-LC8307 | DPST(with lamp) | ON | None | OFF |
| X2-LC8308 | DPST(with lamp) | (ON) | None | OFF |

DIMENSION



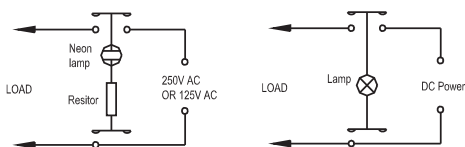
PANEL CUT OUT



| Z | Y | X |
|-----------|-------------|-------------|
| 0.70~1.25 | 12.90~13.00 | 19.10~19.20 |
| 1.25~2.00 | 12.90~13.00 | 19.30~19.40 |
| 2.00~3.00 | 12.90~13.00 | 19.50~19.60 |

CIRCUITS FOR SWITCH WITH LAMP

Circuits for LC8303,LC8304



Circuits for LC8307,LC8308

