



SPECIFICATIONS

CIRCUIT: SPST

FUNCTION: Momentary

CONTACT RATING: 50 mA @ 12V DC.

OPERATING FORCE: 350 gf ±100gf.

TOTAL TRAVEL: 0.25mm ± 0.10mm

MECHANICAL LIFE: 100,000 make-and-break cycles.

CONTACT RESISTANCE: 100mΩ max. initial

INSULATION RESISTANCE: 100MΩ min.

DIELECTRIC STRENGTH: 250 V RMS @ sea level.

OPERATING TEMPERATURE: -25C to70C.

MATERIALS

CASE: Glass filled Nylon 6/6(UL 94-V0).

HOUSING: Glass filled Nylon 6/6(UL 94-V0).

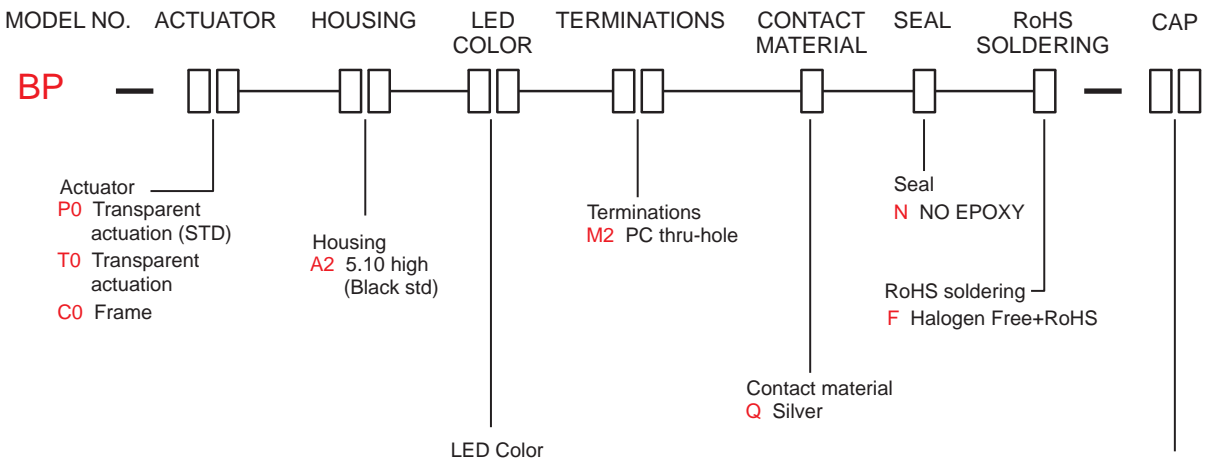
ACTUATOR: PC.

TERMINAL/CONTACT: Brass,Silver plated.

IP 67
ACCORDING TO
EN 60529:1991+A1:2001
IEC 60529:2001



HOW TO ORDER



ITEM NO	COLOR
L0	Without LED
L1	White
L3	Red
L5	Yellow
L6	Green
L7	Blue

Only T0 actuator
* See page 204

BP Series

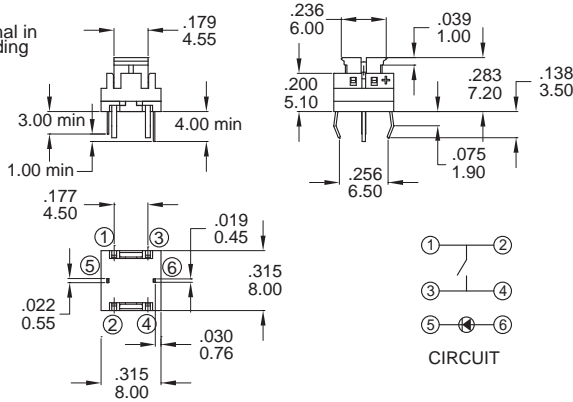
Short-Stroke Touch Switches(Washable)

ACTUATOR TYPE

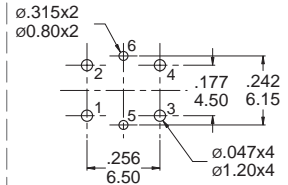
P0



LED terminal in corresponding plated



P.C.B MOUNTING

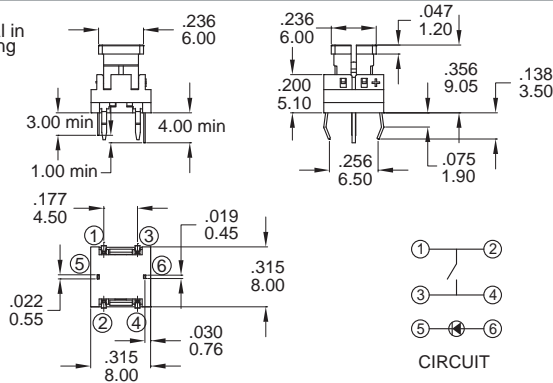


Part No. Shown : BP-P0A2L3M2QNF

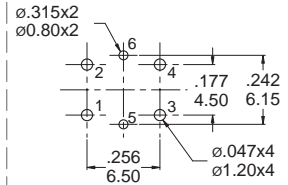
T0



LED terminal in corresponding plated

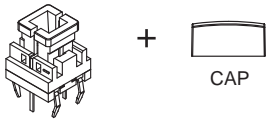


P.C.B MOUNTING



Part No. Shown : BP-T0A2L3M2QNF

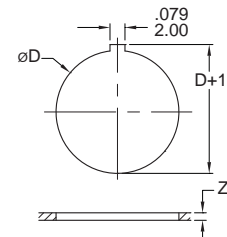
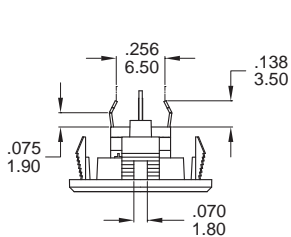
* Cap can only be used with T0 actuator



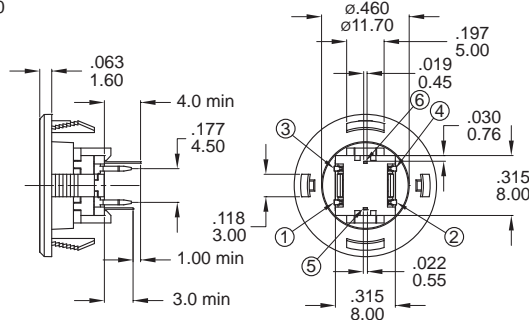
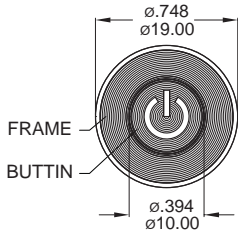
Example:
BP-T0A2L3M2QNF-□□
CAP CODE

CAP OPTION				
DIMENSION	 □7.4 1.5	 □7.4 1.5	 □7.4 7.1 6.0	 □7.4 7.1 $\phi 6.0$
COLOR	CAP CODE			
TRANSPARENT	—	BA	—	—
ICE	—	—	CB	DB
SNOW	—	—	—	CC
WHITE	AD	BD	—	—

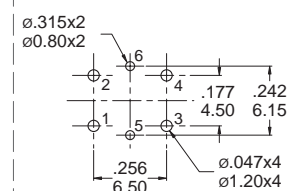
C0



Z	D
0-0.5	16.0-16.1
0.5-2.0	16.1-16.2
2.0-2.5	16.2-16.4
2.5-3.0	16.4-16.6
3.0-3.5	16.6-16.8



P.C.B MOUNTING



Part No. Shown : BP-C0A2L3M2QNF