

# X2-R5 Series

Rocker Switches



## SPECIFICATION

Electrical Rating : 20A 125VAC/16A 250VAC(UL)  
16A 250VAC(VDE)

Mechanical life: Over 30000 cycles

Electrical life: Over 10000 cycles

Contact resistance: <20mΩ

Insulation resistance: >1000MΩ

High voltage resistance: >1500V 1 min.

Ambient temperature: Terminal side -20 to +85°C

Actuating side -20 to +55°C

Storage temperature: -30 to +80°C Max

Atmospheric humidity: Max.85%

Actuating force: 4~8N(depends on different switch function)

Flammability: UL94 V-2

Temperature rise at the terminal: Max 30°C (UL1054)

Solder ability of terminal: Max 350°C, 3s

## MATERIALS

Housing: Nylon 66

Rocker: PC & PA66

Contacts: Silver Alloy

Terminal: Brass Silver Plated

Lamp: Neon Lamp, Tungsten Lamp

Spring: SWP, SUS

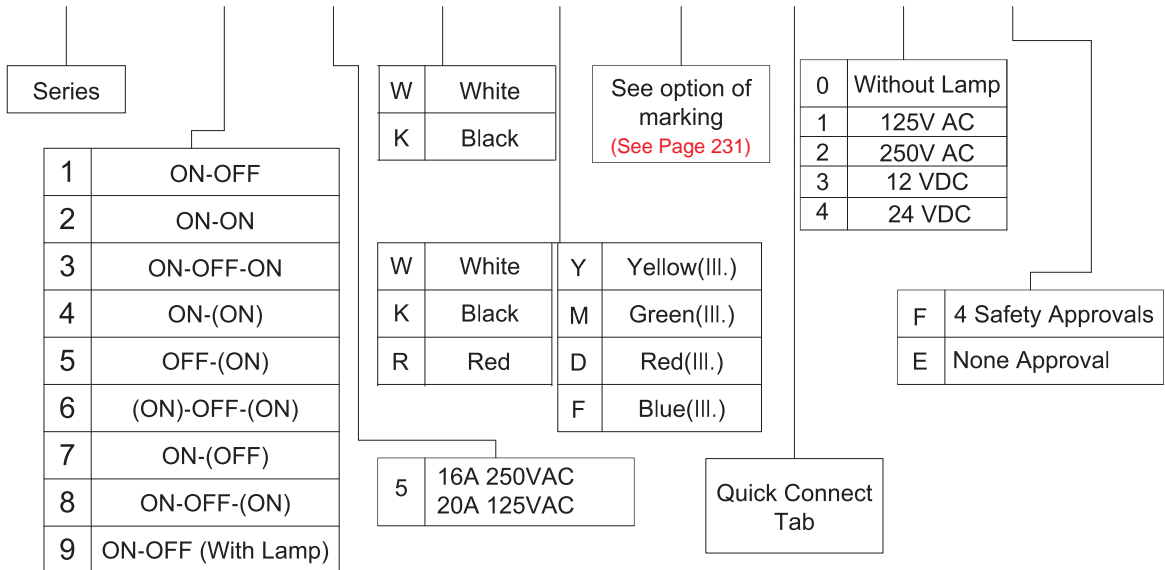
Movable Arm: Brass Silver Plated



## HOW TO ORDER

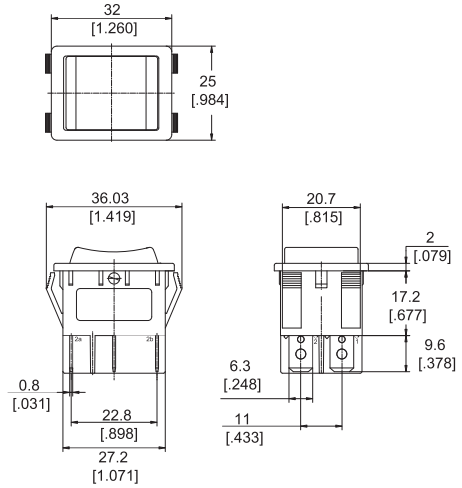
**X2-R5 1 5 K K E T 0 F A**

Series      Switch Function      Rating      Housing Color      Actuator Color      Marking      Terminal Type      Lamp Voltage      Safety Approval

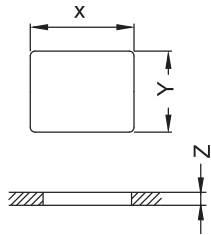


## OPTIONS OF SWITCH FUNCTION / DIMENSION

Item NO	POLES & THROWS	Rocker position ( ):Momentary		
		Left	Center	Right
X2-R51	DPST	ON	None	OFF
X2-R52	DPDT	ON	None	ON
X2-R53	DPDT	ON	OFF	ON
X2-R54	DPDT	ON	None	(ON)
X2-R55	DPST	OFF	None	(ON)
X2-R56	DPDT	(ON)	OFF	(ON)
X2-R57	DPST	ON	None	(OFF)
X2-R58	DPDT	ON	OFF	(ON)
X2-R59	DPST (WITHLAMP)	ON	None	OFF



## PANEL CUT OUT



Z	Y	X
0.70~1.25	22.20~22.30	30.0~30.20
1.25~2.00	22.20~22.30	30.2~30.40
2.00~3.00	22.20~22.30	30.6~30.80

## CIRCUITS FOR SWITCH WITH LAMP

For circuit of 250V AC or 125V AC

For circuit of 24V DC or 12V DC

