

X2-R6 Series

Rocker Switches



SPECIFICATION

Electrical Rating : 6A 250VAC/10A 125VAC(UL)
4(1)A 250VAC(VDE)

Mechanical life: Over 30000 cycles

Electrical life: Over 10000 cycles

Contact resistance: <20m Ω

Insulation resistance: >1000M Ω

High voltage resistance: >1500V 1 min.

Ambient temperature: Terminal side -20 to +85°C

Actuating side -20 to +55°C

Storage temperature: -30 ~ +85°C Max

Atmospheric humidity: Max.85%

Actuating force: 4N

Flammability: UL94 V-2

Temperature rise at the terminal: Max 30°C (UL1054)

Solder ability of terminal: Max 350°C , 3s

MATERIALS

Housing: PA 66

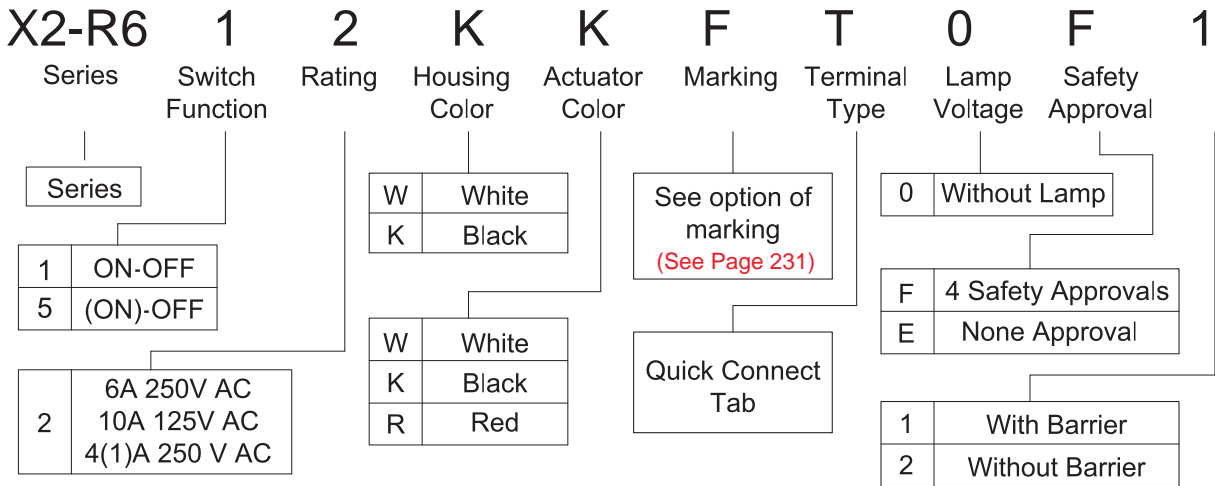
Rocker: PA66

Contacts: Silver Alloy

Terminal: Brass Silver Plated

Movable Arm: Copper Silver Plated

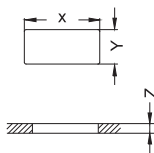
HOW TO ORDER



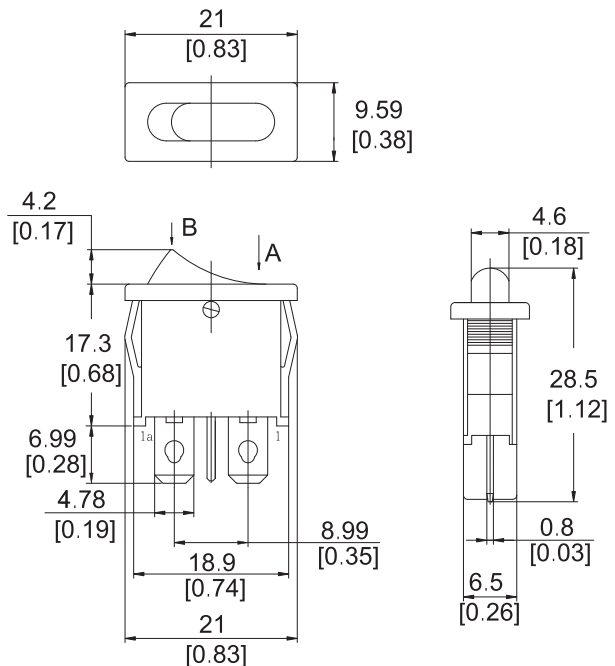
OPTIONS OF SWITCH FUNCTION / DIMENSION

Item NO	POLES & THROWS	Rocker position ():Momentary		
		Left	Center	Right
X2-R61	SPST	ON	None	OFF
X2-R65	SPST	(ON)	None	OFF

PANEL CUT OUT



Z	Y	X
0.70~1.25	6.65~6.75	19.20~19.30
1.25~2.00	6.65~6.75	19.25~19.35
2.00~3.00	6.65~6.75	19.30~19.40



SPECIFICATION

Electrical Rating : 2A 250VAC/125VAC,
 6A 250VAC/10A125VAC (UL)
 10A 250VAC/15A 125VAC(UL)
 10(4)A 250 VAC (VDE)

Mechanical life: Over 30000 cycles
 Electrical life: Over 10000 cycles
 Contact resistance: <20m Ω
 Insulation resistance: >1000M Ω
 High voltage resistance: >1500VAC 1 min.
 Ambient temperature: Terminal side -20 to +85°C
 Actuating side- 20 to +55°C

Atmospheric humidity: Max.85%
 Actuating force: 3 to 6N(depends on different switch function)
 Flammability: UL94V-2 & UL94V-0
 Storage temperature: -30 to +80°C Max
 Temperature rise at the terminal: 30°C (UL1054)
 Solder ability of terminal: Max 350°C 3s



MATERIALS

Housing: PA 66
 Rocker: PA 66 & PC
 Contacts: Silver alloy
 Terminal: Copper or brass silver plated
 Spring: SWC
 Movable arm: Copper silver plated
 Lamp: Neon lamp, Tungsten lamp, LED
 Bracket: PA66



HOW TO ORDER

ORDERING PROCEDURE (PART I): NON-ILLUMINATED

X2-RC 1 5 K K E T 0 0 B

