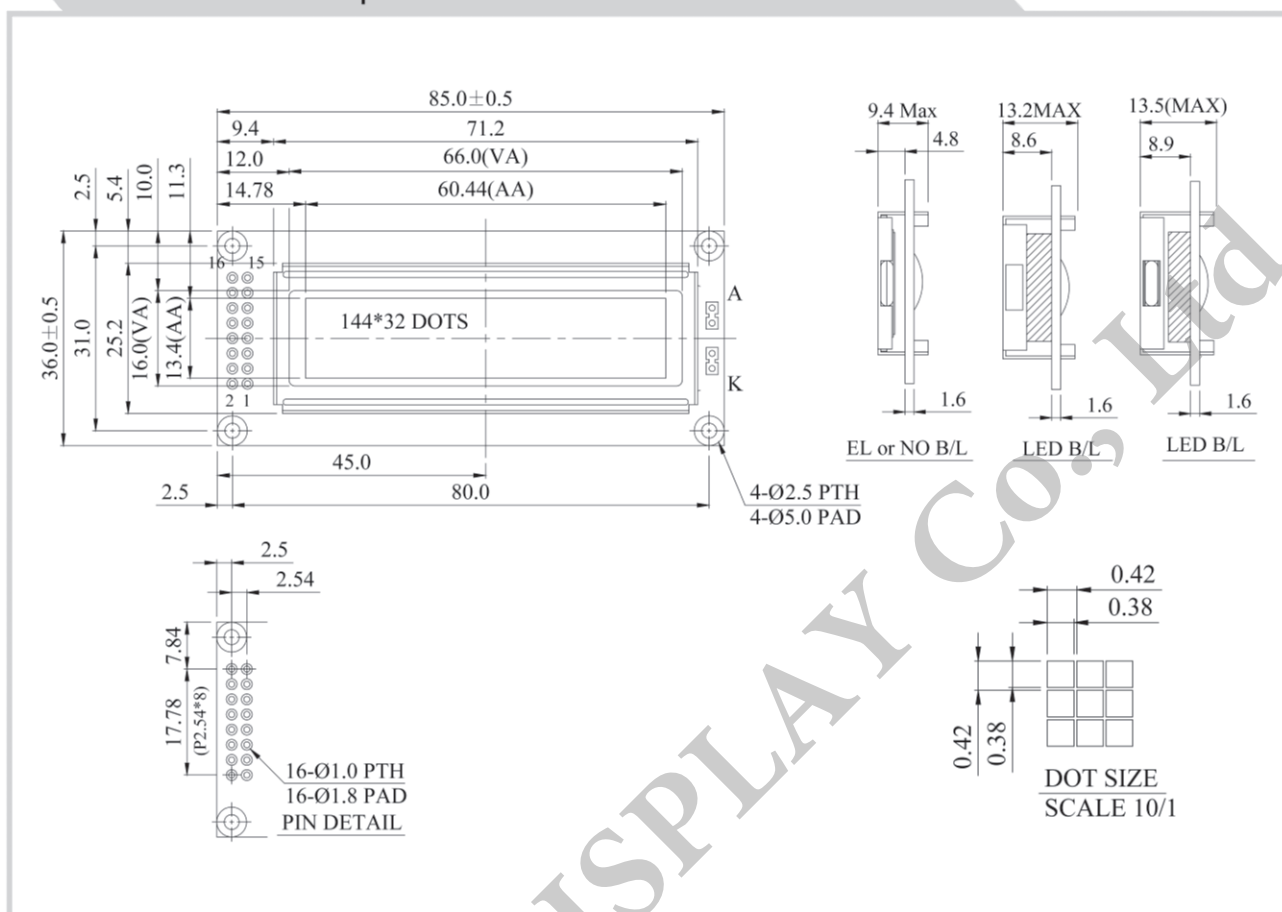


WG14432A Graphic 144x32 dots



Feature

1. Built-in controller ST7920
2. +5V power supply
3. Negative voltage option
4. 1/32 duty cycle
5. LED can be driven by Pin15, PIN16 or A, K
6. Same size as WH1602C
7. Chinese version

Pin No.	Symbol	Description
1	V _{SS}	Ground
2	V _{DD}	Power supply for logic
3	V _O	Contrast Adjustment
4	RS	Data/ Instruction select signal
5	R/W	Read/Write select signal
6	E	Enable signal
7	DB0	Data bus line
8	DB1	Data bus line
9	DB2	Data bus line
10	DB3	Data bus line
11	DB4	Data bus line
12	DB5	Data bus line
13	DB6	Data bus line
14	DB7	Data bus line
15	A	Power supply for B/L +
16	K	Power supply for B/L -

Mechanical Data

Item	Standard Value	Unit
Module Dimension	85.0 x 36.0	mm
Viewing Area	66.0 x 16.0	mm
Mounting Hole	80.0 x 31.0	mm
Dot Pitch	0.42 x 0.42	mm
Dot Size	0.38 x 0.38	mm

Electrical Characteristics

Item	Symbol	Standard Value	Unit
		typ.	
Input Voltage	V _{DD}	3/5	V
Recommended LCD Driving Voltage for Normal Temp. Version module @25°C	V _O -V _{SS}	4.30	V