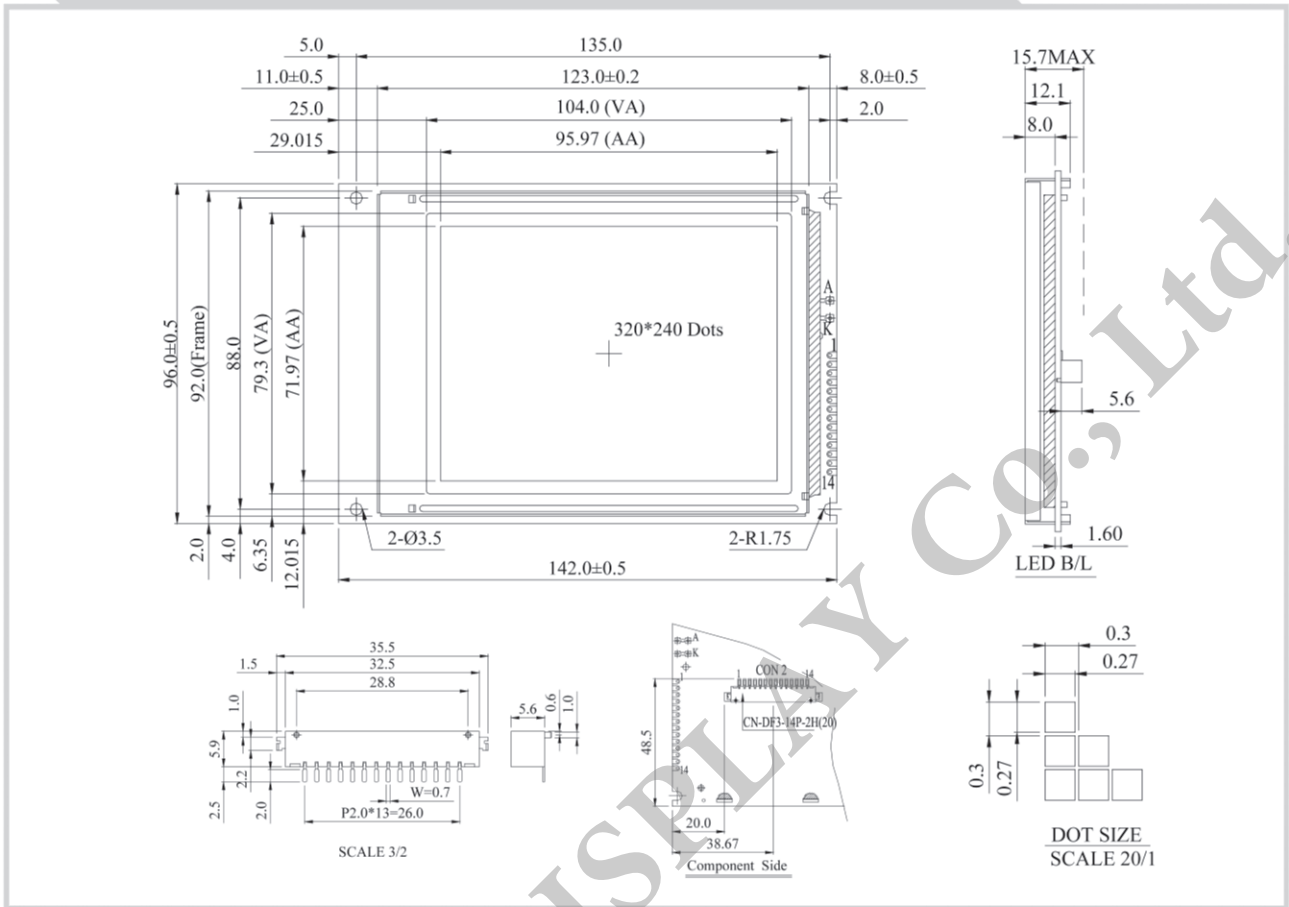


# WG320240D/D1 Graphic 320x240 dots



## Feature

1. 320x240 dots
2. No controller
3. 1/240 duty cycle
4. 4.5V power supply
5. Touch screen option

Pin No.	Symbol	Description
1	FRAME	Scan start-up signal
2	DF	Frame reverse signal(alternate signal)
3	LOAD	Data latch pulse
4	CP	Data shift pulse
5	DISPOFF	Display off H:ON L:OFF
6	D0	Data bus line
7	D1	Data bus line
8	D2	Data bus line
9	D3	Data bus line
10	V <sub>DD</sub>	Power supply for logic
11	V <sub>SS</sub>	Ground
12	V <sub>EE</sub>	Negative Voltage Output
13	V <sub>O</sub>	Contrast Adjustment
14	FG	Frame ground

## Mechanical Data

Item	Standard Value	Unit
Module Dimension	142.0 x 96.0	mm
Viewing Area	104.0 x 79.3	mm
Mounting Hole	135.0 x 88.0	mm
Dot Pitch	0.30 x 0.30	mm
Dot Size	0.27 x 0.27	mm

## Electrical Characteristics

Item	Symbol	Standard Value	Unit
		typ.	
Input Voltage	V <sub>DD</sub>	5.0	V
Recommended LCD Driving Voltage for Normal Temp. Version module @25°C	V <sub>DD-VO</sub>	21.6	V