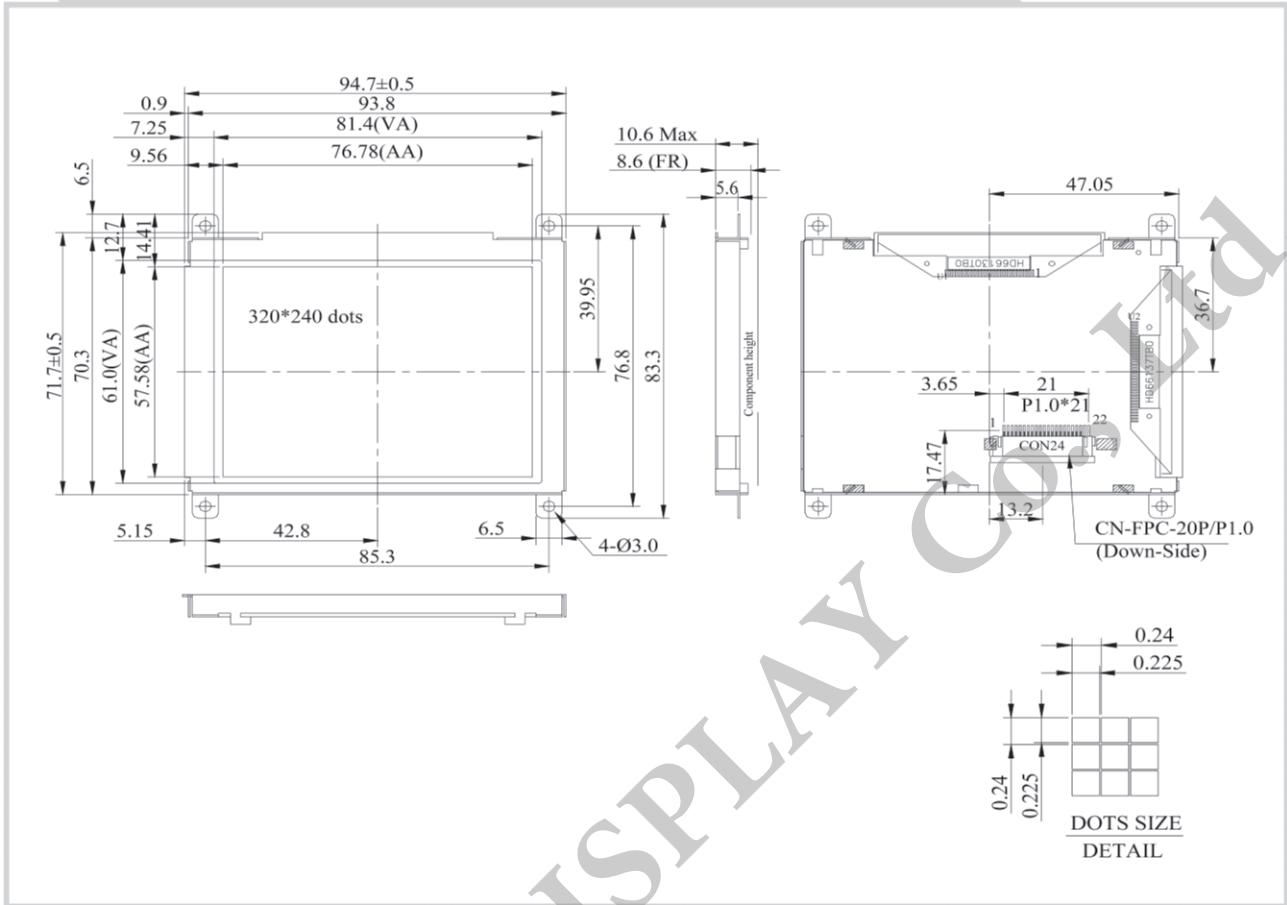


WX320240D Graphic 320x240 dots



Feature

1. Built-in RA8835 and SRAM
2. Built-in positive voltage output
3. 1/240 duty
4. Touch screen option
5. 3.3V (also available for 5V)
6. WX320240H: Chinese version RA8806

Pin No.	Symbol	Description
1	V _{SS}	Ground
2	V _{DD}	Power supply for logic
3	V _σ	Contrast Adjustment
4	A0	Data/ Instruction select signal
5	WR	Data write. Write data into LCD Controller
6	RD	Data read. Read data from LCD Controller
7~14	DB0-DB7	Data bus line
15	CS	Chip select input pins
16	RES	Controller reset signal, Active Low
17	V _{EE}	Positive Voltage Output
18	SEL1	Interface selection 6800/8080
19	A	Power supply for B/L +
20	K	Power supply for B/L -

Mechanical Data

Item	Standard Value	Unit
Module Dimension	94.7 x 83.3	mm
Viewing Area	81.4 x 61.0	mm
Mounting Hole	85.3 x 76.8	mm
Dot Pitch	0.24 x 0.24	mm
Dot Size	0.225 x 0.225	mm

Electrical Characteristics

Item	Symbol	Standard Value	Unit
		typ.	
Input Voltage	V _{DD}	3.3	V
Recommended LCD Driving Voltage for Normal Temp. Version module @25°C	V _o -V _{ss}	21.7	V