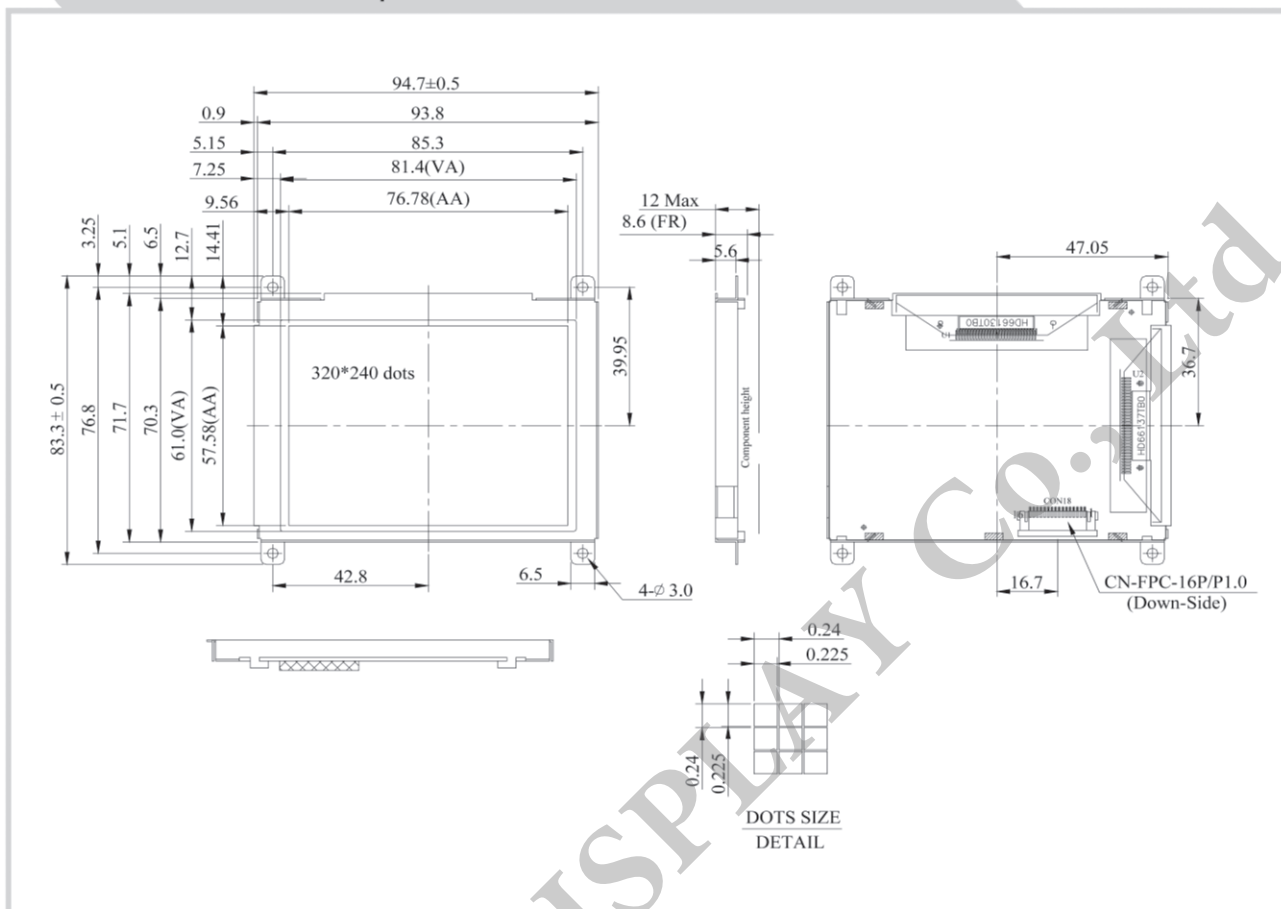


**WX320240G** Graphic 320x240 dots



**Feature**

1. 320x240 dots FSTN
2. 4-bit data bus
3. 1/240 duty cycle
4. Option positive voltage output
5. 3.3V power supply (also available for 5V)

Pin No.	Symbol	Description
1	CL2	Data shift pulse
2	CL1	Data latch pulse
3	FLM	Scan start-up signal
4	M	Frame reverse signal(alternate signal)
5	DB0	Data bus line
6	DB1	Data bus line
7	DB2	Data bus line
8	DB3	Data bus line
9	V <sub>O</sub>	Contrast Adjustment
10	V <sub>DD</sub>	Power supply for logic
11	V <sub>SS</sub>	Ground
12	NC	No connection
13	K	Power supply for B/L -
14	A	Power supply for B/L +
15	DISP	Display off H:ON L:OFF
16	V <sub>EE</sub>	Postive Voltage Output

**Mechanical Data**

Item	Standard Value	Unit
Module Dimension	94.7 x 83.3	mm
Viewing Area	81.4 x 61.0	mm
Mounting Hole	85.3 x 76.8	mm
Dot Pitch	0.24 x 0.24	mm
Dot Size	0.225 x 0.225	mm

**Electrical Characteristics**

Item	Symbol	Standard Value	Unit
		typ.	
Input Voltage	VDD	3.3	V
Recommended LCD Driving Voltage for Normal Temp. Version module @25°C	V <sub>O</sub> -V <sub>SS</sub>	21.7	V