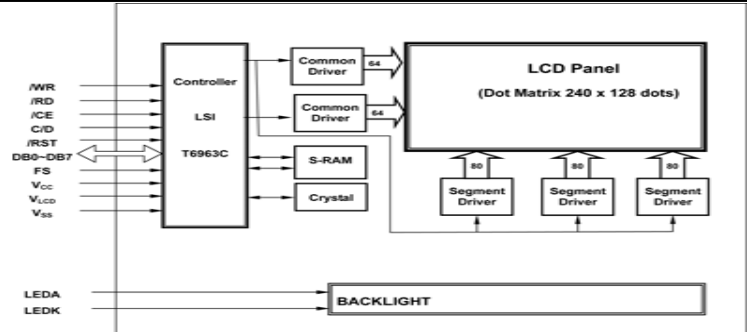


V<sub>DD</sub> - V<sub>EE</sub> : LCD Driving Voltage  
VR : 10K~20K



Interface		
Pin no	Symbol	Function
1	FGND	
2	VSS	Power supply (GND)
3	VDD	Power supply(+)
4	VEE	LCD Drive Voltage (-)
5	WR	write Data
6	RD	read Data
7	CE	Chip Enable
8	C/D	Code/Data
9	NC	No connection
10	/RST	External reset pin
11	DB0	Date bus line
12	DB1	Date bus line
13	DB2	Date bus line
14	DB3	Date bus line
15	DB4	Date bus line
16	DB5	Date bus line
17	DB6	Date bus line
18	DB7	Date bus line
19	FS	Font select H: 6 × 8 L: 8 × 8
20	RV	Reverse data in

Feature			
Controller	T6963C	Module	170 x 93.7248
Duty	1/128 duty	Viewing Area	129 x 75
Bias	1/12 bias	Mounting hole	162 x 85
B/L	WHITE	Character Size	0.47 x 0.47

Absolute Maximum Rating					
I tem	Symbol	Condition	Min	Max	Units
Supply for logic voltage	Vdd-Vss	25°c	-0.3	7	V
LCD driving supply voltage	Vdd-Vss	25°c	-0.3	13	V
Input voltage	Vin	25°c	-0.3	Vdd+0.3	V

Electrical Characteristics						
Item	Symbol	Condition	Min.	Typ.	Max.	Units
Power supply voltage	Vdd-Vss	25°c	4.5	-	5.5	V
LCD operation voltage	Vop	25°c	-	17.5	-	V
LED Forward Voltage	VF	25°c	-	3.2	-	V
LED Forward Current	IF	25°c	-	240	-	mA