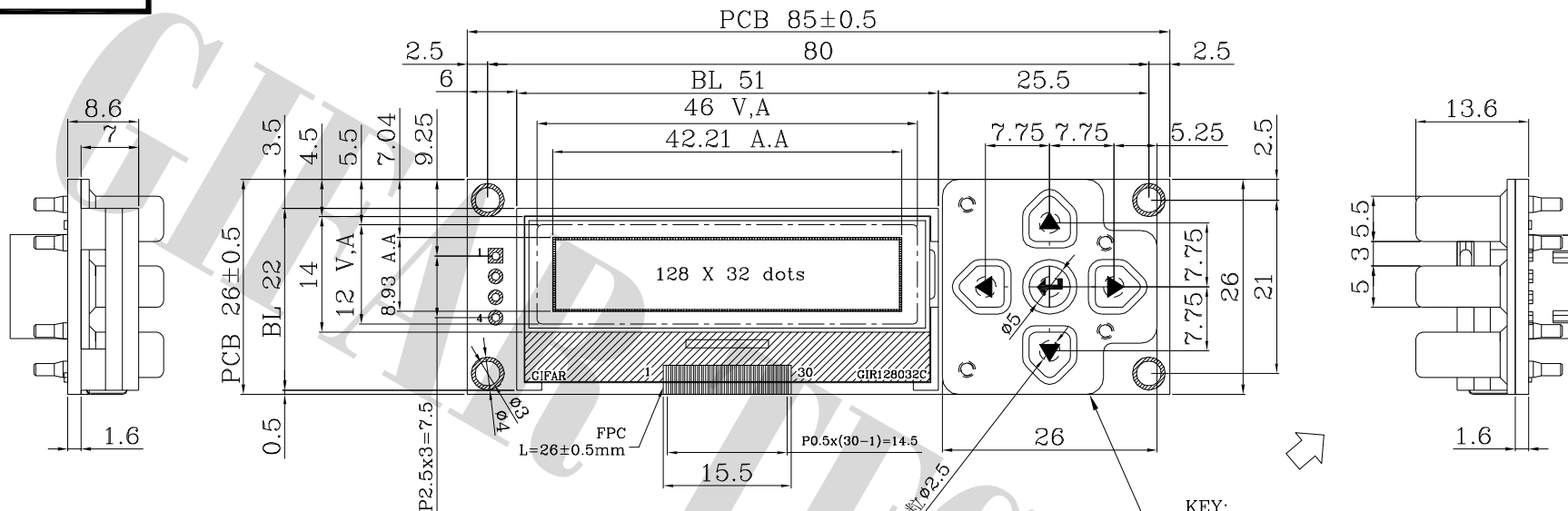


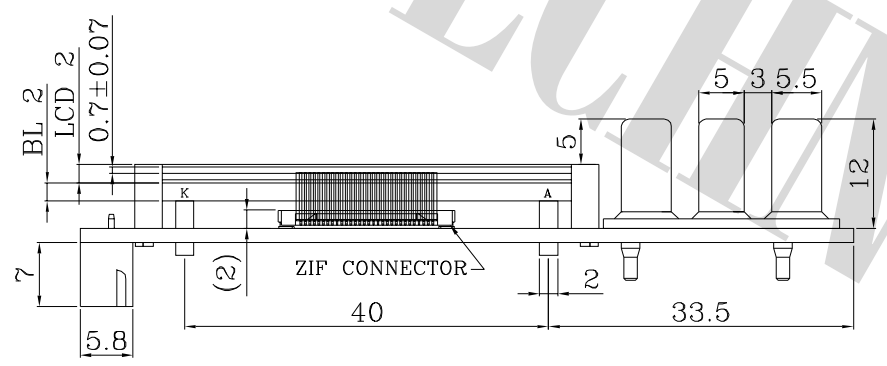
RoHS



KEY:
 1.color of Rubber: WHITE.
 2.color of text: BLACK.
 3.上保護漆 .


INTERFACE

PIN	NAME
1	VDD
2	GND
3	RXD
4	TXD



- NOTES:
1. DRIVE METHOD: 1/32DUTY, 1/9BIAS,VOP10.2V.
 2. VIEWING ANGLE: 6 O'CLOCK.
 3. DISPLAY TYPE: STN(BLUE), TRANSMISSIVE/NEGATIVE.
 4. OPERATING TEMP: 0 TO 50°C.
 5. STORAGE TEMP: -20 TO 70°C.
 6. CONNECTION: FPC.
 7. INTERFACE: RS232.
 8. BACKLIGHT: WHITE(LED 5 DIES).
 9. NOT DIMENSION TOLERANCES IS ±0.3

日期	版本	修改内容
170109	00	按鈕使用KEY-FR128032C-05B，正式編號為GFR128032CA-BNFA


晶發科技有限公司
GIR FAR TECHNOLOGY CO., LTD

DATE	2017.01.09	REV	00	DRAWING NO. :	R01-2016121502
UNIT : mm	Product :			GFR128032CA-BNFA	
SCALE : 1/1	DRAWN:	Hazel	CHECKED:	Donlin	PAGE: 1/1