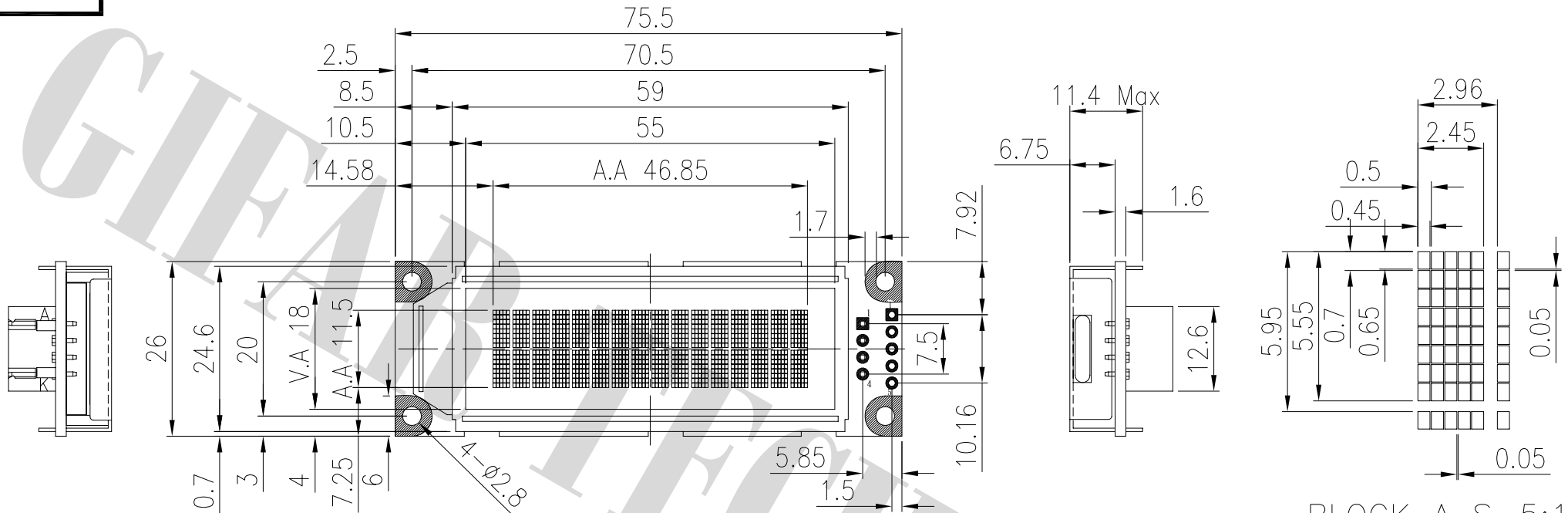


**RoHS**



BLOCK A S=5:1

INTERFACE

PIN	NAME
1	VCC
2	RXD
3	TXD
4	GND

NOTES:

1. DRIVE METHOD: 1/16DUTY, 1/5BIAS, VOP 4.2V.
2. VIEWING ANGLE: 6 O'CLOCK.(封口在右)
3. DISPLAY TYPE:STN(BLUE),NEGATIVE/TRANSMISSIVE.
4. OPERATING TEMP: -20 TO 70°C.
5. STORAGE TEMP: -30 TO 80°C.
6. CONNECTION:ZEBRA.
7. BACK LIGHT:WHITE
8. IC: GMRU20X4
9. INTERFACE: RS232
10. NOT DIMENSION TOLERANCES IS ±0.2.

日期	版本	修改内容

 晶發科技有 限 公 司  
GI FAR TECHNOLOGY CO., LTD

DATE	2013.04.25	REV	X0
UNIT : mm	Product :	GFR1602C-BNFE-JP	
SCALE : 1/1	DRAWN :	Hazel	CHECKED : Donlin
SHEET : 1/1			PAGE: 1/1