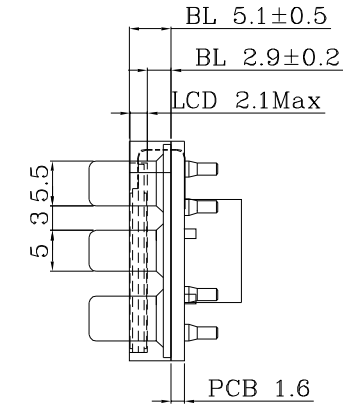
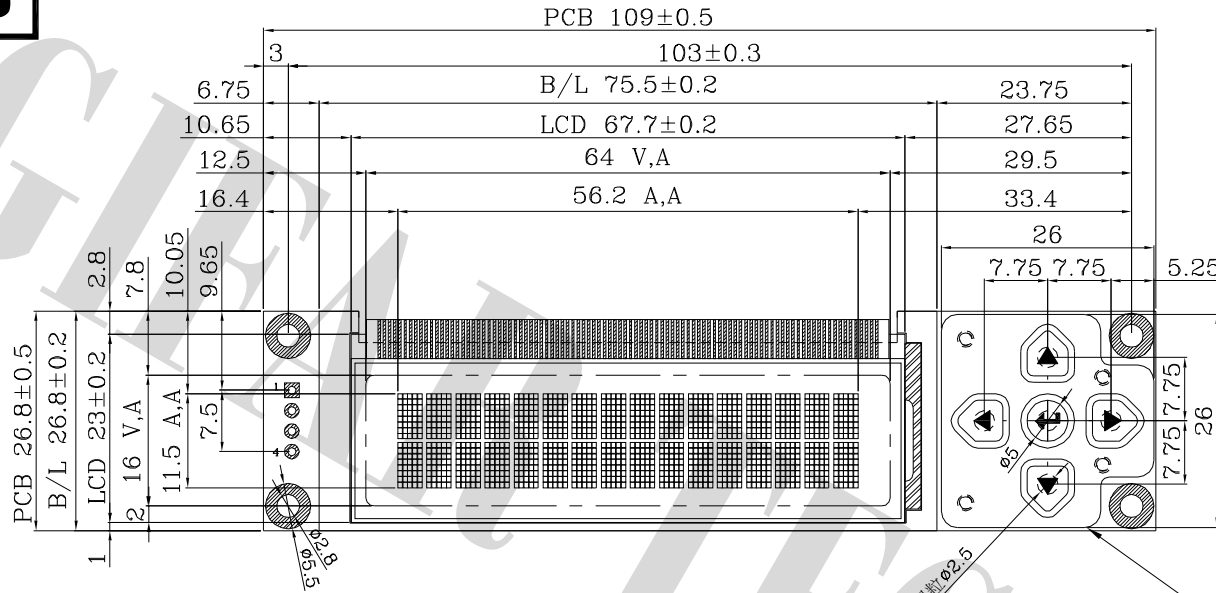


RoHS



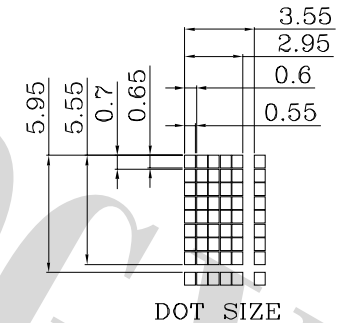
KEY:
 1.color of Rubber: WHITE.
 2.color of text: BLACK.
 3.上保護漆 .

NOTES:

1. DRIVE METHOD: 1/16DUTY, 1/5BIAS, VDD 5V VOP 4.3V.
2. VIEWING ANGLE: 6 O'CLOCK. (封口在右)
3. DISPLAY TYPE: STN(BLUE),NEGATIVE/TRANSMISSIVE.
4. OPERATING TEMP: -20 TO 70°C.
5. STORAGE TEMP: -30 TO 80°C.
6. CONNECTION: HEAT SEAL.
7. BACK LIGHT: WHITE(EDGE)LED 4 PCS 0603.
8. INTERFACE: RS232
9. NOT DIMENSION TOLERANCES IS ±0.3


INTERFACE

PIN	NAME
1	VDD
2	GND
3	RXD
4	TXD



DOT SIZE

日期	版本	修改内容
170112	00	依GFR1602IA-FPGEJPA申請藍底白字，正式編號為: GFR1602IA-BNFEJPA



晶發科技有限公司
G FAR TECHNOLOGY CO., LTD

DATE	2017.01.12	REV	00	DRAWING NO. :	R01-2017010901
UNIT : mm	Product :				
SCALE : 1/1	GFR1602IA-BNFEJPA				
DRAWN :	Hazel	CHECKED :	Donlin	PAGE : 1/1	