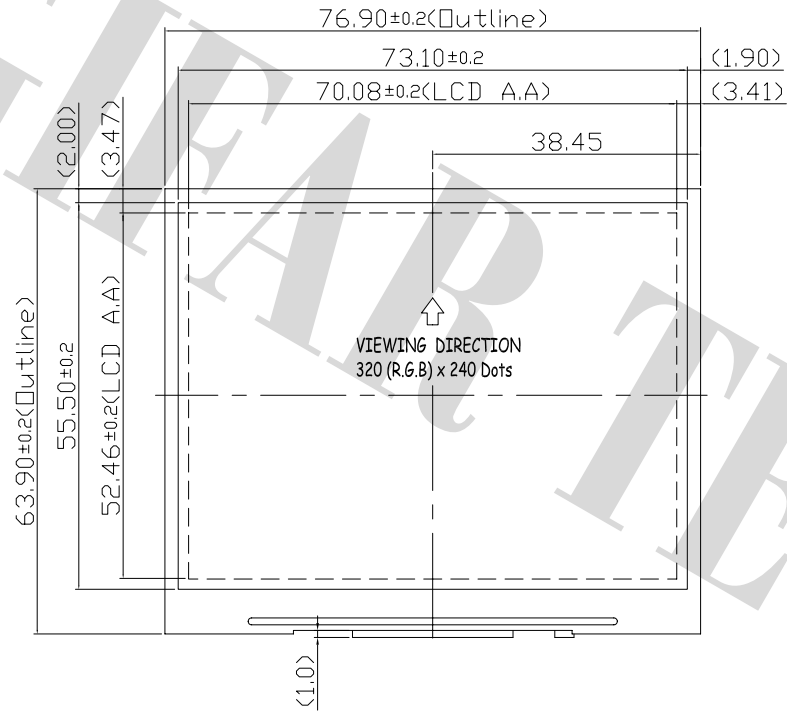
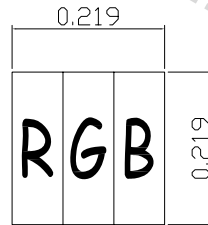


PIN DESCRIPTION

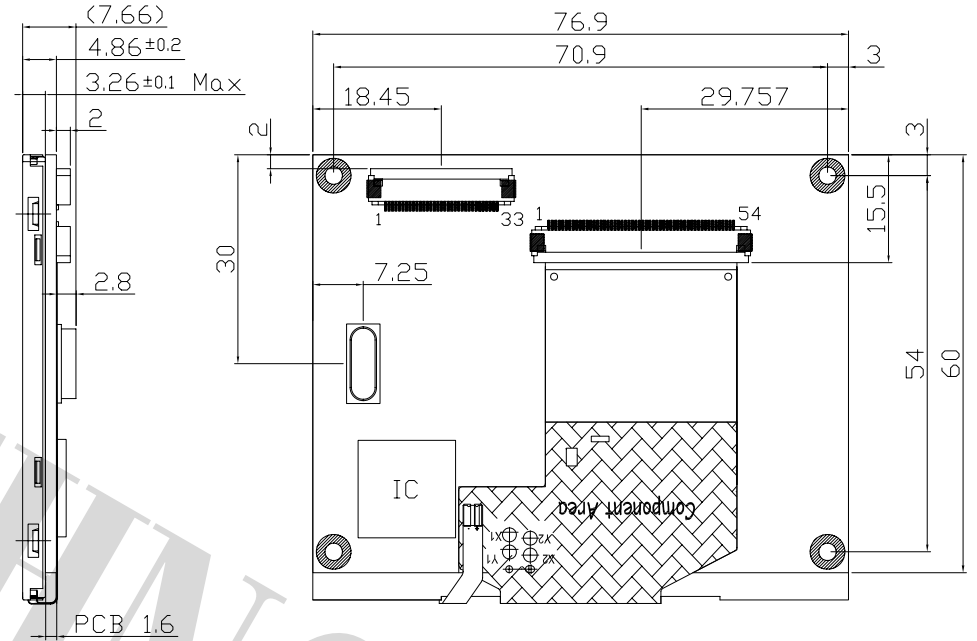
NO.	NAME
1	GND
2	VDD
3	WR
4	RD
5	CS
6	NC
7	/RESET
8	RS
9	DB15
10	DB14
11	DB13
12	DB12
13	DB11
14	DB10
15	DB9
16	DB8
17	DB7
18	DB6
19	DB5
20	DB4
21	DB3
22	DB2
23	DB1
24	DB0
25	IF
26	NC
27	NC
28	NC
29	NC
30	LEDK
31	LEDK
32	LEDA
33	LEDA



VIEWING DIRECTION



Scale 100:1



- NOTES:
- 1.LCD TYPE: a-si TFT
 - 2.LCD DISPLAY: POSITIVE / TRANSMISSIVE
 - 3.VIEW DIRECTION: 6 O'CLOCK
 - 4.Top: -20~70°C Tst: -30~80°C
 - 5.The tolerance unless classified ±0.3mm

日期	版本	修改内容

<p>晶發科技有限公司 GI FAR TECHNOLOGY CO., LTD</p>			
DATE	2012.03.22	REV	X0
UNIT : mm	Product :	GFTM035AB320240-S	
SCALE : 1 / 1	DRAWN :	Hazel	CHECKED : Donlin
SHEET : 1 / 1			PAGE: 1 / 1