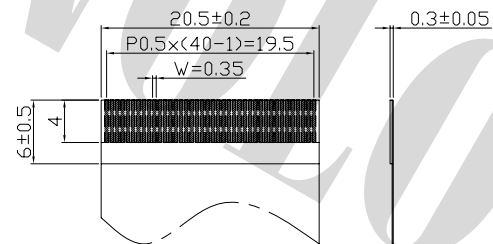
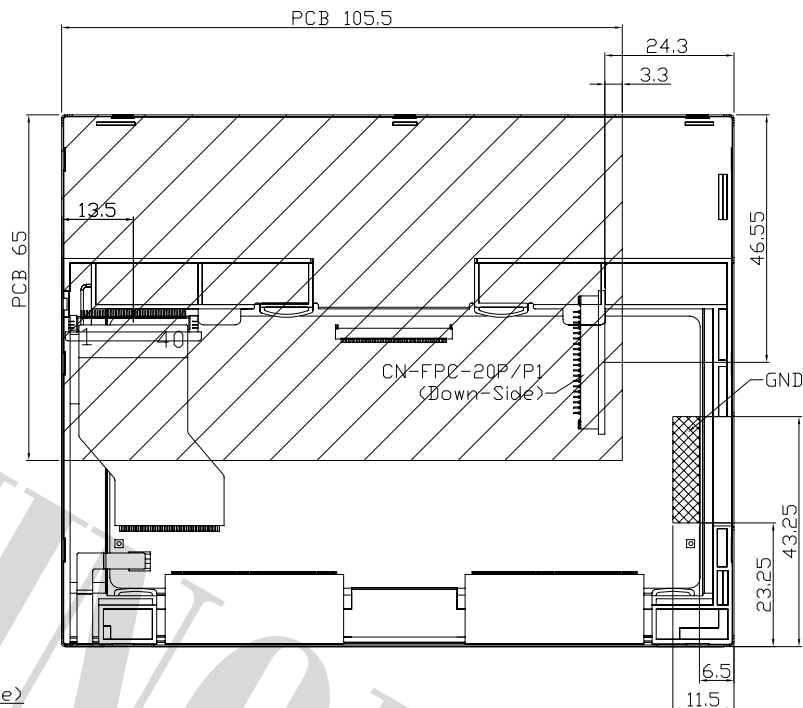
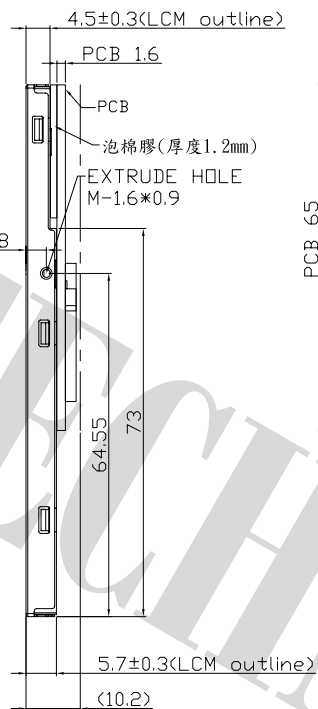
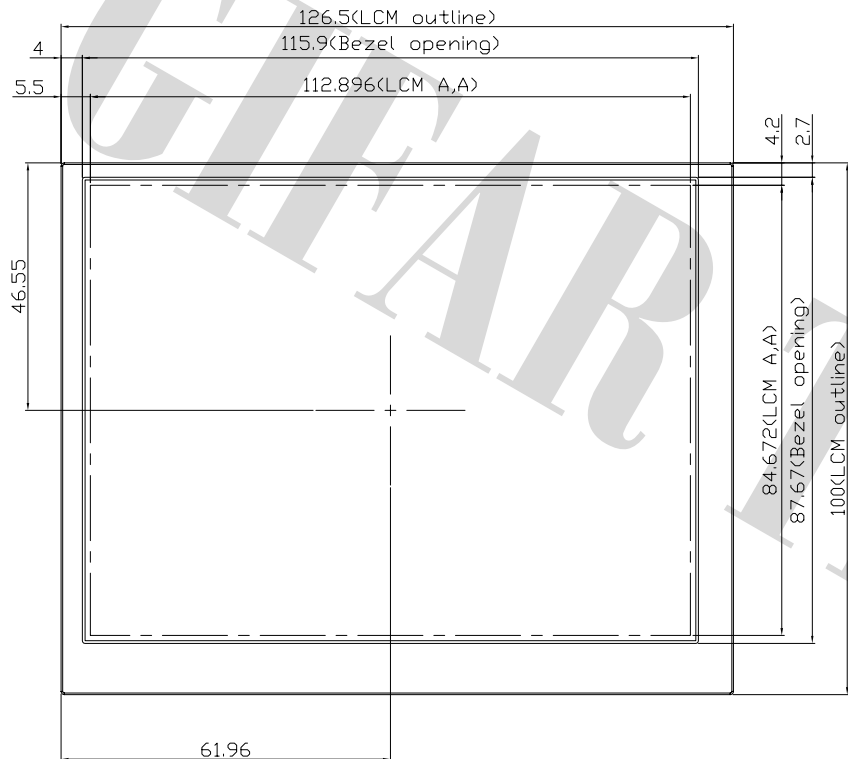


RoHS



PIN	
1	GND
2	VCC
3	NC
4	RS
5	WR
6	RD
7	DB0
8	DB1
9	DB2
10	DB3
11	DB4
12	DB5
13	DB6
14	DB7
15	CS
16	RST
17	VLED
18	RL
19	UD
20	ADJ

Note:
1. GENERAL TOLERANCE ±0.30mm.
2. THE BENDING RADIUS OF FPC SHOULD BE LARGER THAN 1.0.

日期	版本	修改内容



晶發科技有限公司
GI FAR TECHNOLOGY CO., LTD

DATE	2012.05.08	REV	0X
UNIT : mm	Product :	GFTM056AB640480-S	
SCALE : 1/1	DRAWN :	Hazel	CHECKED : Donlin
SHEET : 1/1			PAGE : 1/1