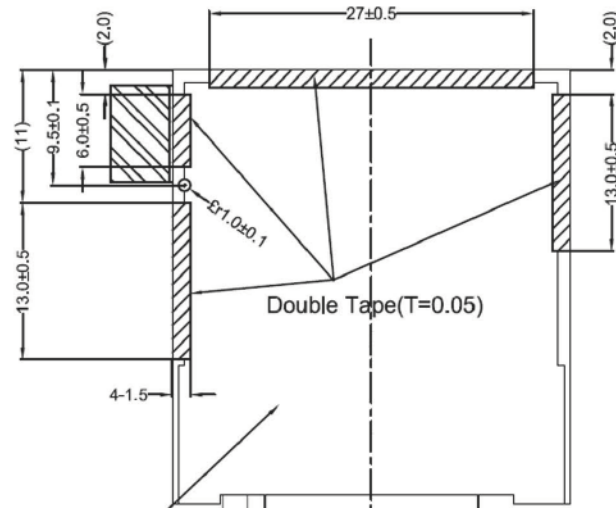
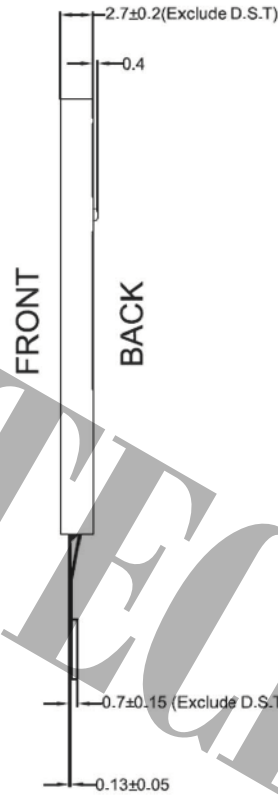
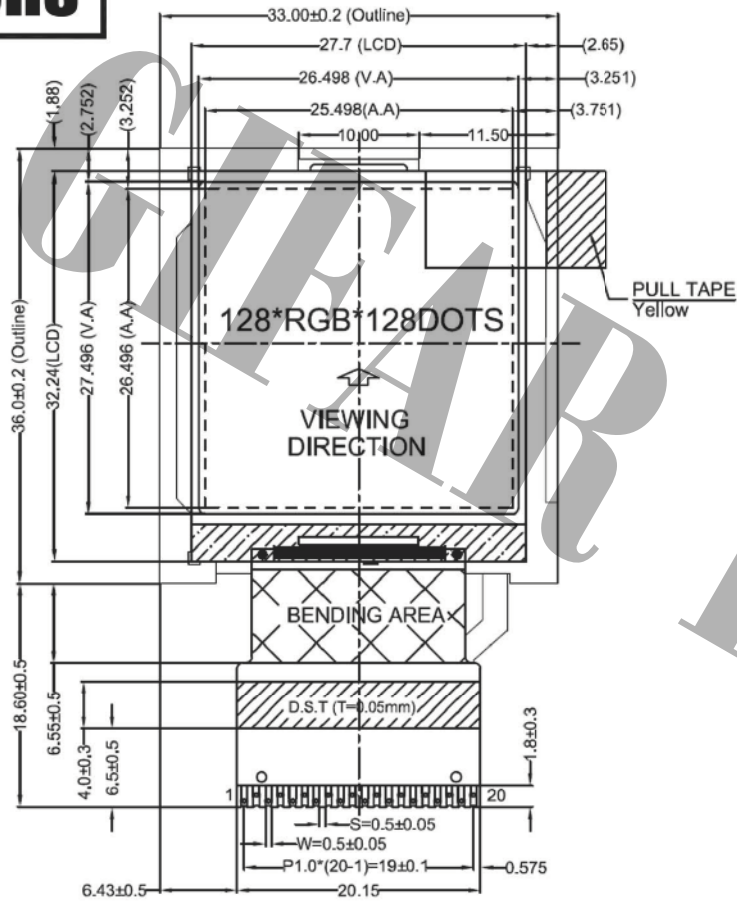
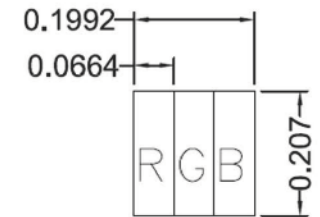
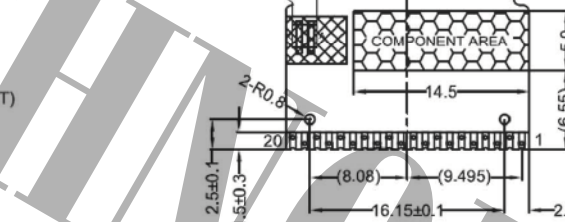


RoHS



Pin Description:

PIN	Symbol
1	GND
2	VDD
3	VDDI
4	DB0(SDA)
5	DB1
6	DB2
7	DB3
8	DB4
9	DB5
10	DB6
11	DB7
12	/CS
13	/RESET
14	/WR(D/C)
15	D/C(SCL)
16	/RD
17	IM2
18	SPI4W
19	BL_A
20	BL_K



BACKLIGHE CIRCUIT DIAGRAM

SCALE: 50:1
Pixel dimension

Specification

1. Display mode: TFT/Negative/Transmissive/Normal White (65K/262K Color)
2. Driving condition: 128RGB*128 VDD=3.0V
3. Viewing angle: 6 O'clock
4. Operating temp: -20°C~70°C, Storage temp: -30°C~80°C
5. Back light : White LED, Voltage 3.2±0.2V, If 20mA
6. DRIVER IC: ST7735S CONNECTOR TYPE : LCD+IC+FPC+BL
7. Unspecified tolerance : ±0.30mm
8. Remark : RoHS

日期	版本	修改内容
171201	00	MD圖面



晶發科技股份有限公司
GI FAR TECHNOLOGY CO., LTD.

DATE	2017.12.01	REV	00	DRAWING NO.:
UNIT : mm	Product : GFT00144CA128128			
SCALE : 1/1	DRAWN:	Hazel	CHECKED:	Sidney
				PAGE: 1/1