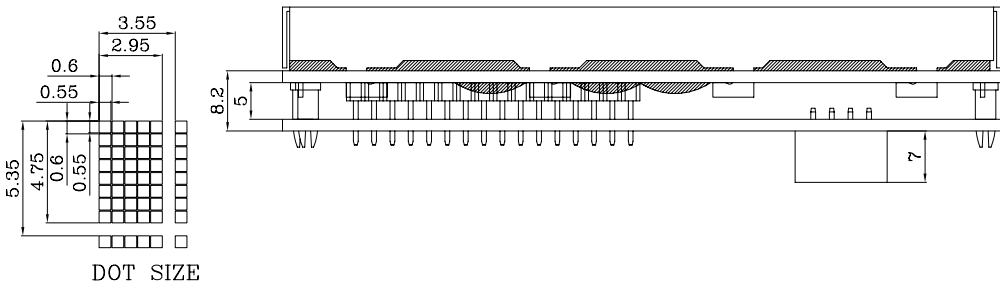
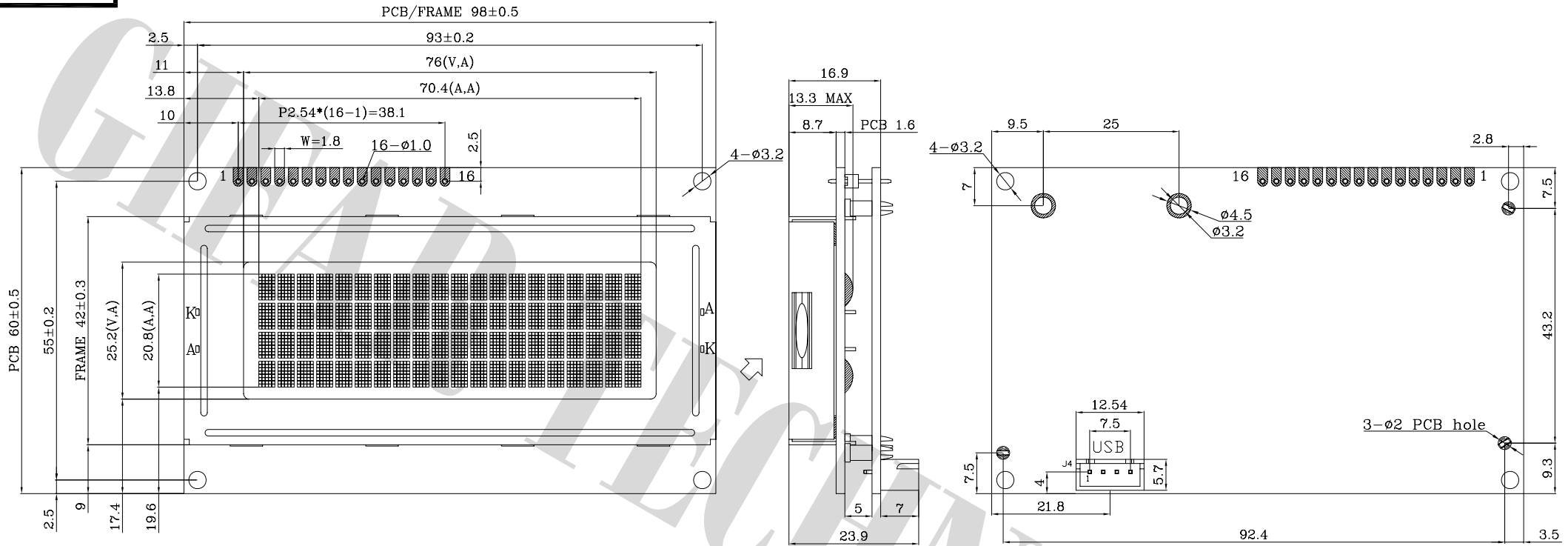



**RoHS**



- NOTES:
1. DRIVE METHOD: 1/16DUTY, 1/5BIAS,VDD 5.0V, VOP 4.5V,64 HZ.
  2. VIEWING ANGLE: 6 O'CLOCK.
  3. DISPLAY TYPE:STN(BLUE),TRANSMISSIVE/NEGATIVE.
  4. OPERATING TEMP: -20 TO 70°C.
  5. STORAGE TEMP: -30 TO 80°C.
  6. CONNECTION: ZEBRA Large panel is on top layer.
  7. BACKLIGHT:WHITE/EDGE.(INTERNAL CONTROL).
  8. INTERFACE: USB.
  9. NOT DIMENSION TOLERANCES IS ±0.3.
  10. R8,R9 to 47ohm. R6 to 2k ohm.

USB

NO.	SIGNAL
1	+5V
2	D-
3	D+
4	VSS

日期	版本	修改内容	 <b>晶發科技有限公司</b> GI FAR TECHNOLOGY CO., LTD			
			DATE	2011.01.27	REV	X0
			UNIT : mm	Product :	GFU2004J-BNFE-JP	
			SCALE : 1 / 1	DRAWN :	Hazel	CHECKED :
			SHEET : 1 / 1			Kevin
						PAGE : 1 / 1