

# MTP Series

2-in-1 Switches (Push & Rotary switch)



## SPECIFICATIONS

**CONTACT MATERIAL** : Copper over Silver.

**RATING** : 50mA/DC12V.(max.) (Resistive load)

**OPERATING LIFE** : Push:30,000 Rotary : 10,000

**INSULATION RESISTANCE** : 1,00MΩ

**CONTACT RESISTANCE** : 200mΩ MAX.

**WITHSTANDING VOLTAGE**: 100V AC for 1min.

**OPERATING TEMPERATURE**: -20°C to 70°C.

**TRAVEL** : ABOUT 0.55mm.(push)

**OPERATION PRESSURE** :

S1 / S3 = Push : 3N+/-1N ; Rotary : 3N+/-1.5N

S2 = Push : 3N+/-1N ; Rotary : 1N+/-0.5N

S4 = Push : 3N+/-1N ; Rotary : 0.8N+/-0.5N(MOM)

S5 = Push : 3N+/-1N ; Rotary : 3N+/-1.5N(ON) ; 0.8N+/-0.5N(MOM)

## MATERIALS

**CASE&TERMINAL**: LCP&Brass, Silver plated.

**CONTACT** : Stainless, Silver plated.

**ACTUATOR** : LCP.

**HOUSING** : Stainless.

**SPRING** : Stainless.



## HOW TO ORDER

MODEL NO.

**MTP**

FUNCTION



Function

- 01 On-None-On
- 02 Mom-None-On
- 03 On-Off-On
- 04 Mom-Off-Mom
- 05 On-Off-Mom

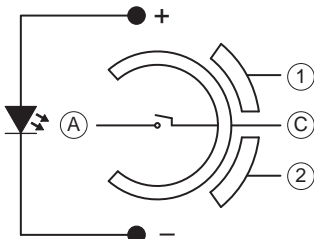
LED COLOR



LED Color

ITEM NO	COLOR
0	Without LED
1	White
3	Red
5	Yellow
6	Green
7	Blue

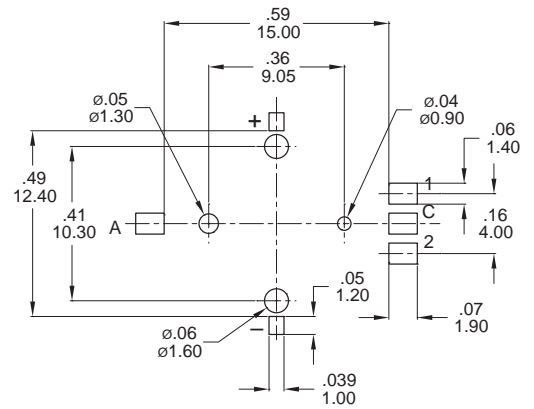
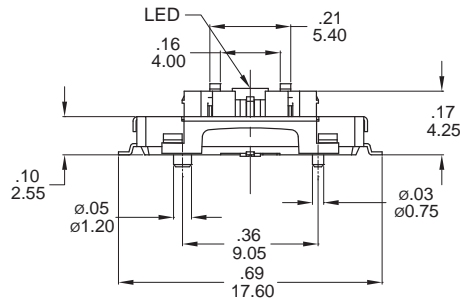
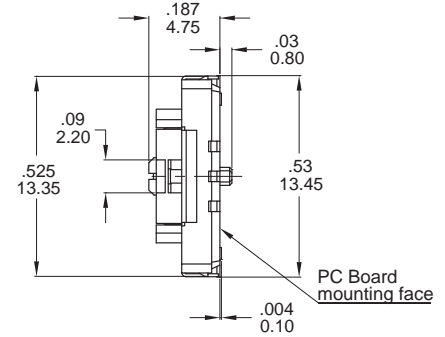
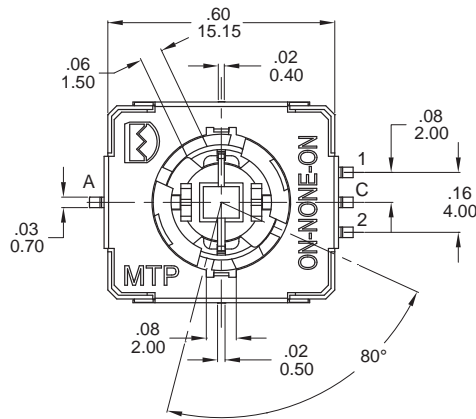
## CIRCUIT



		OPERATING		
		C - A		
PUSH				
NO. POLES	Rotary 01			
		TRAVEL	25°	
NO. POLES	Rotary 02	ON	NONE	ON
		C-2	N/A	C-1
NO. POLES	Rotary 03	MOM	NONE	ON
		C-2	N/A	C-1
NO. POLES	Rotary 04	ON	OFF	ON
		C-2	OPEN	C-1
NO. POLES	Rotary 05	MOM	OFF	MOM
		C-2	OPEN	C-1

### DIMENSION

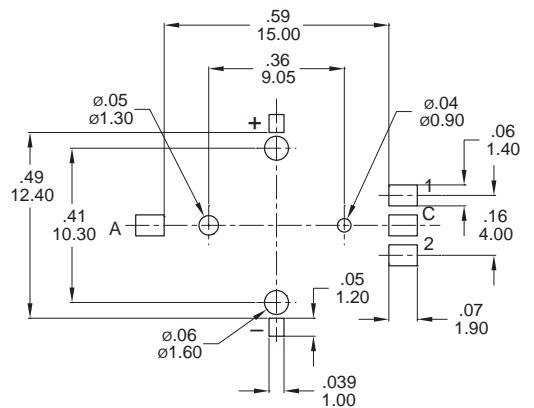
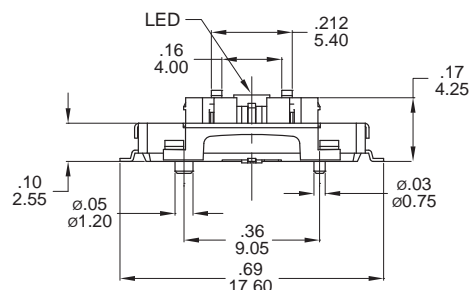
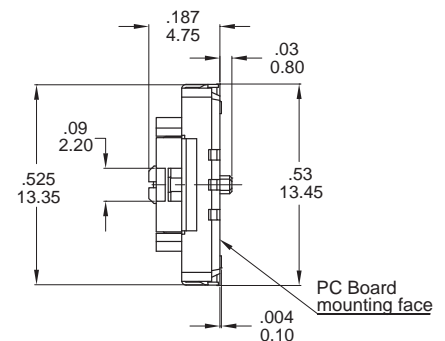
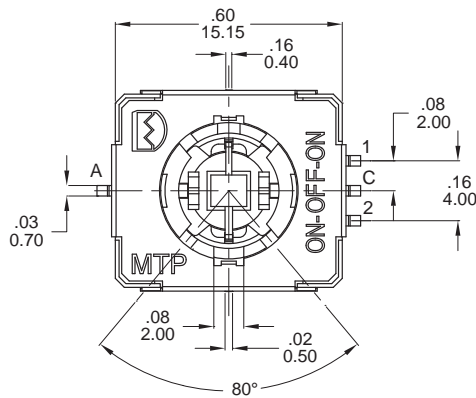
01



Part No. Shown : MTP-01

TOP VIEW

03



Part No. Shown : MTP-03

TOP VIEW



MTP  
2-in-1 Switches