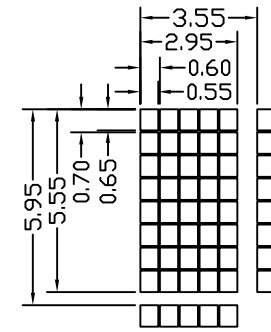
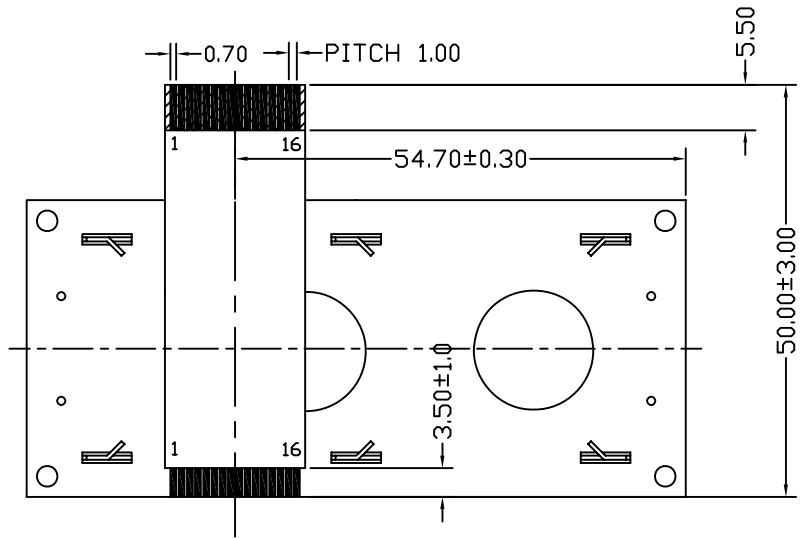


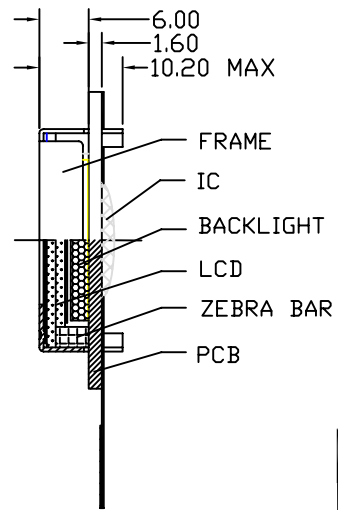
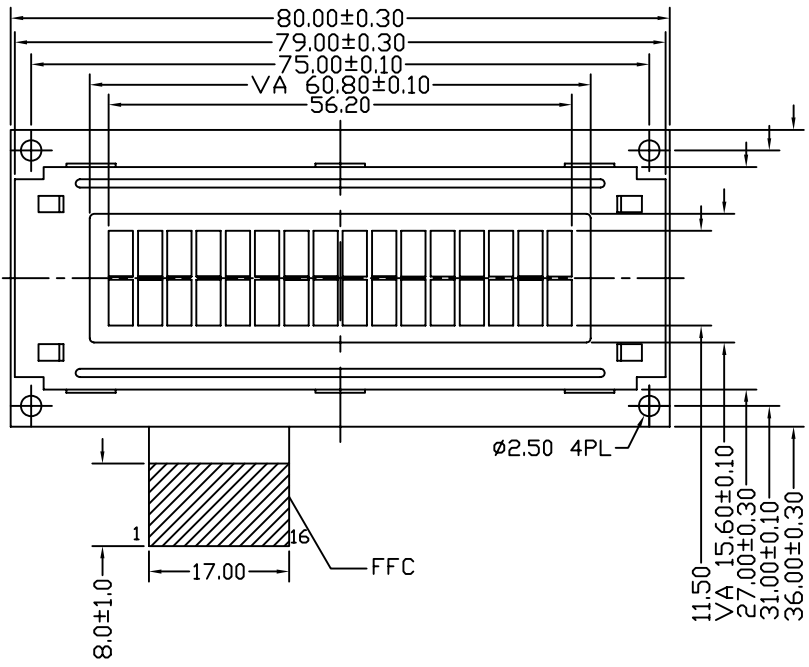
REV	Description	Date
A00	First Issue	2008-MAY-05



Character Dot Details

SPECIFICATIONS:

- 1) STN/+VE/Y-G/TRANSFLECTIVE MODE
- 2) 1/16 DUTY, 1/5 BIAS, VLCD=4.5 V
- 3) VIEWING ANGLE=6 O'CLOCK
- 4) WITH LED01 BACKLIGHT, Y-G COLOR
- 5) OP. TEMP.=0 ~ +50° C
ST. TEMP.= -10 ~ +60° C



PIN ASSIGNMENT

PIN NUMBER	SYMBOL	PIN NUMBER	SYMBOL
1	VSS	9	DB2
2	VDD	10	DB3
3	VEE(V0)	11	DB4
4	RS	12	DB5
5	R/W	13	DB6
6	E	14	DB7
7	DB0	15	K
8	DB1	16	A

Description: **MECHANICAL SPECIFICATIONS**

Scale: _____

Sheet : 1 of 1

Unspecified Tol. ±0.3 Unit mm

Approvals _____ Date _____

Draw: _____

Check: _____

Approve: _____

TRI-T COMPANY LIMITED

Project Number: TMBC16265HSP-02

Item Number: _____

Do Not Scale This Drawing

Projection: