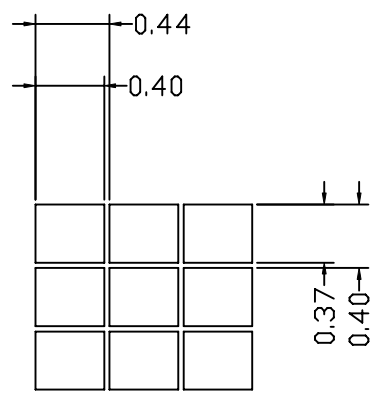
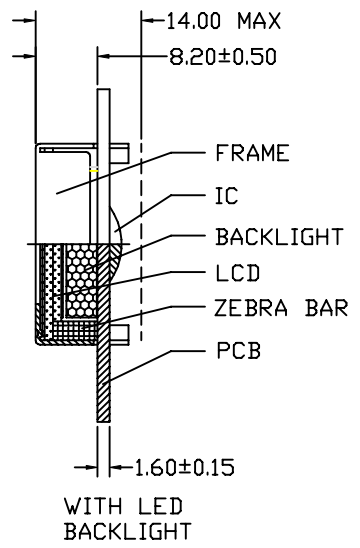
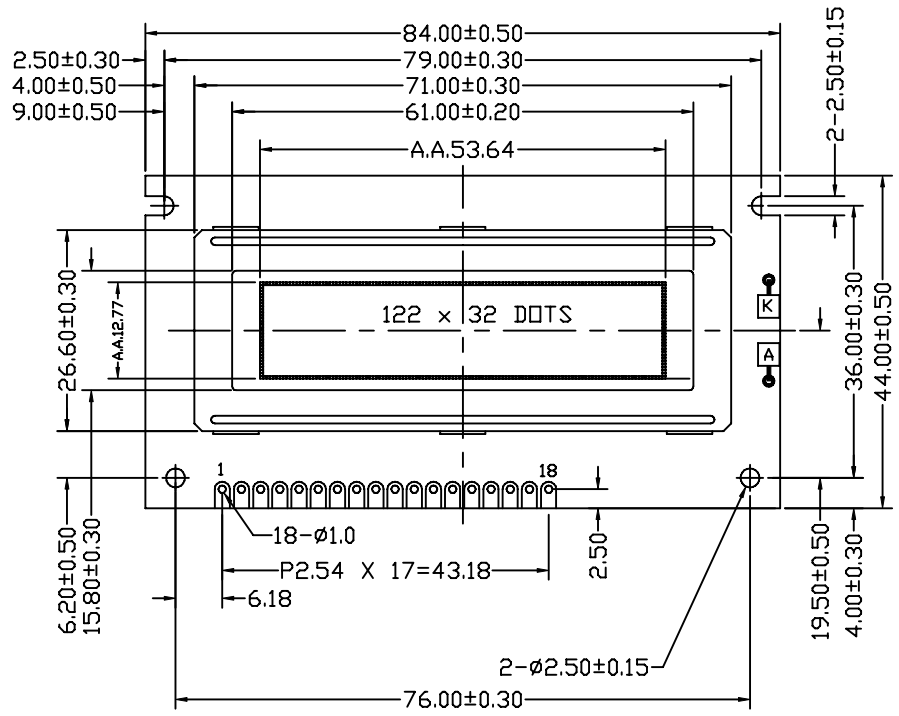


REV	Description	Date
A00	Correct LCD type	2008-FEB-22



DOTS DETAIL


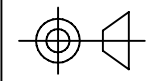


INTERFACE CONNECTOR PIN ASSIGNMENT

1	2	3	4	5	6	7	8	9	10	11	12	13	14	15	16	17	18
VSS	VDD	VO	RS	R/W	E1	E2	RST	DB0	DB1	DB2	DB3	DB4	DB5	DB6	DB7	LED(+)	LED(-)

SPECIFICATIONS:

- 1)STN/+VE/GRAY/TRANSFLECTIVE MODE
- 2)1/32 DUTY, 1/5 BIAS, VLCD=4.8V
- 3)VIEWING ANGLE= 6 O'CLOCK
- 4)OP.TEMP.= -0°C TO +50°C  
ST.TEMP.= -10°C TO +60°C
- 5) WITH Y-G LED BACKLIGHT, 4.05@90mA

Description:		<b>MECHANICAL SPECIFICATIONS</b>	
Scale:		 <b>TRI-T COMPANY LIMITED</b>	
Sheet : 1 of 1			
Unspecified Tol. ±0.3	Unit mm	Project Number <b>TMBG12232BPT-13</b>	Item Number
Approvals	Date		
Draw:		Do Not Scale This Drawing	 Projection
Check:			
Approve:			