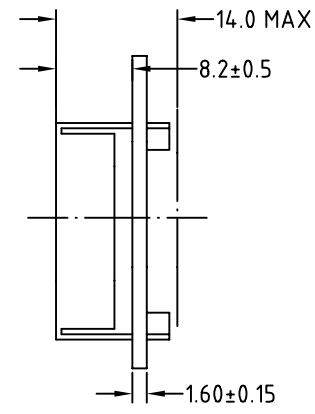
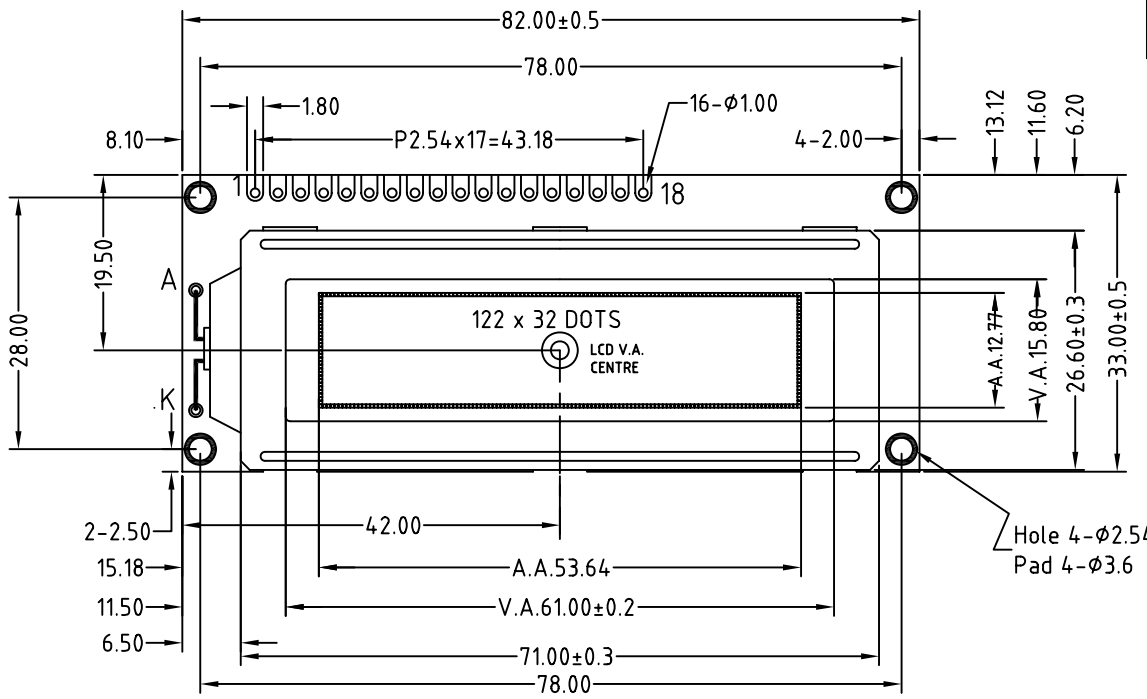


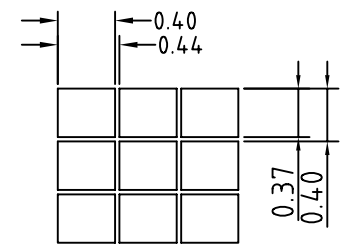
REV	Description	Date
A00	First Issue	2004-SEP-9



WITH WHITE LED BACKLIGHT

PIN ASSIGNMENT

1	2	3	4	5	6	7	8	9	10	11	12	13	14	15	16	17	18
VSS	VDD	V0	RS	R/W	E1	E2	RST	DB0	DB1	DB2	DB3	DB4	DB5	DB6	DB7	LED(+)	LED(-)



DOTS DETAIL

SPECIFICATIONS:

- 1)STN/-VE/BLUE/TRANSMISSIVE MODE
- 2)1/32 DUTY, 1/6 BIAS, VLCD=4.8V
- 3)VIEWING ANGLE= 12 O'CLOCK
- 4)OP.TEMP.=0°C TO +50°C  
ST.TEMP=-10°C TO +60°C
- 5) WITH WHITE LED BACKLIGHT,3.6V@15mA

Description:		<b>MECHANICAL SPECIFICATIONS</b>	
Scale:		<b>TRI-T COMPANY LIMITED</b>	
Sheet : 1 of 1			
Unspecified Tol. ±0.3	Unit mm	Project Number	Item Number
Approvals	Date	TMBG12232DPT-05	
Draw:		 Projection	
Check:			
Approve:			
		Do Not Scale This Drawing	