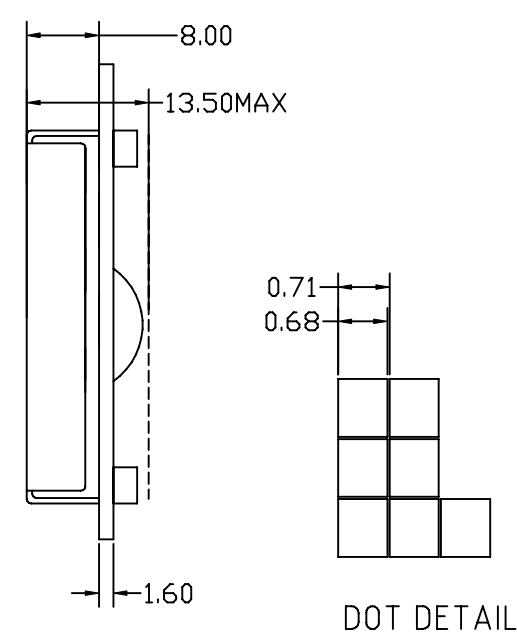
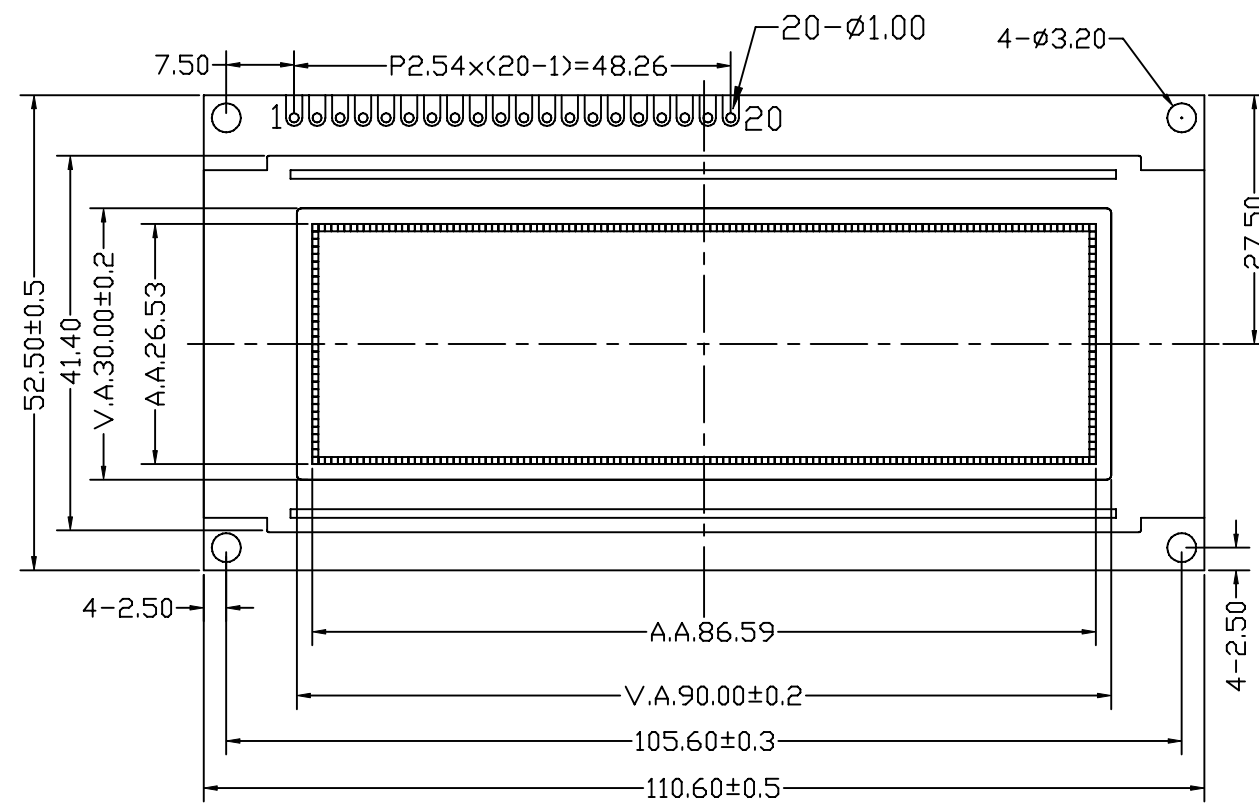



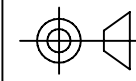
|     |             |             |
|-----|-------------|-------------|
| REV | Description | Date        |
| A00 | First Issue | 2008-SEP-03 |



PIN ASSIGNMENT

|     |     |    |    |     |    |    |     |     |     |     |     |     |     |     |     |    |    |    |    |
|-----|-----|----|----|-----|----|----|-----|-----|-----|-----|-----|-----|-----|-----|-----|----|----|----|----|
| 1   | 2   | 3  | 4  | 5   | 6  | 7  | 8   | 9   | 10  | 11  | 12  | 13  | 14  | 15  | 16  | 17 | 18 | 19 | 20 |
| VSS | VDD | VD | RS | R/W | E1 | E2 | RST | DB0 | DB1 | DB2 | DB3 | DB4 | DB5 | DB6 | DB7 | A  | K  | NC | NC |

- SPECIFICATIONS:
- 1)FSTN/+VE/B&W/TRANSFLECTIVE MODE
  - 2)1/32 DUTY, 1/6 BIAS, VOP=8.0V
  - 3) VIEWING ANGLE= 6 O'CLOCK
  - 4) OP.TEMP.=0°C TO +50°C  
ST.TEMP.=-10°C TO +60°C
  - 5) WITH WHITE LED BACKLIGHT, 3.6V@45mA

|                       |         |  |   |
|-----------------------|---------|--|---|
| Description:          |         | <b>MECHANICAL SPECIFICATIONS</b>   |   |
| Scale:                |         |  <b>TRI-T COMPANY LIMITED</b> |   |
| Sheet : 1 of 1        |         |  |   |
| Unspecified Tol. ±0.3 | Unit mm | Project Number   | Item Number   |
| Approvals             | Date    | TMBG12232EPT-05  |   |
| Draw:                 |         |  |   |
| Check:                |         |  |   |
| Approve:              |         | Do Not Scale This Drawing  | <br>Projection |