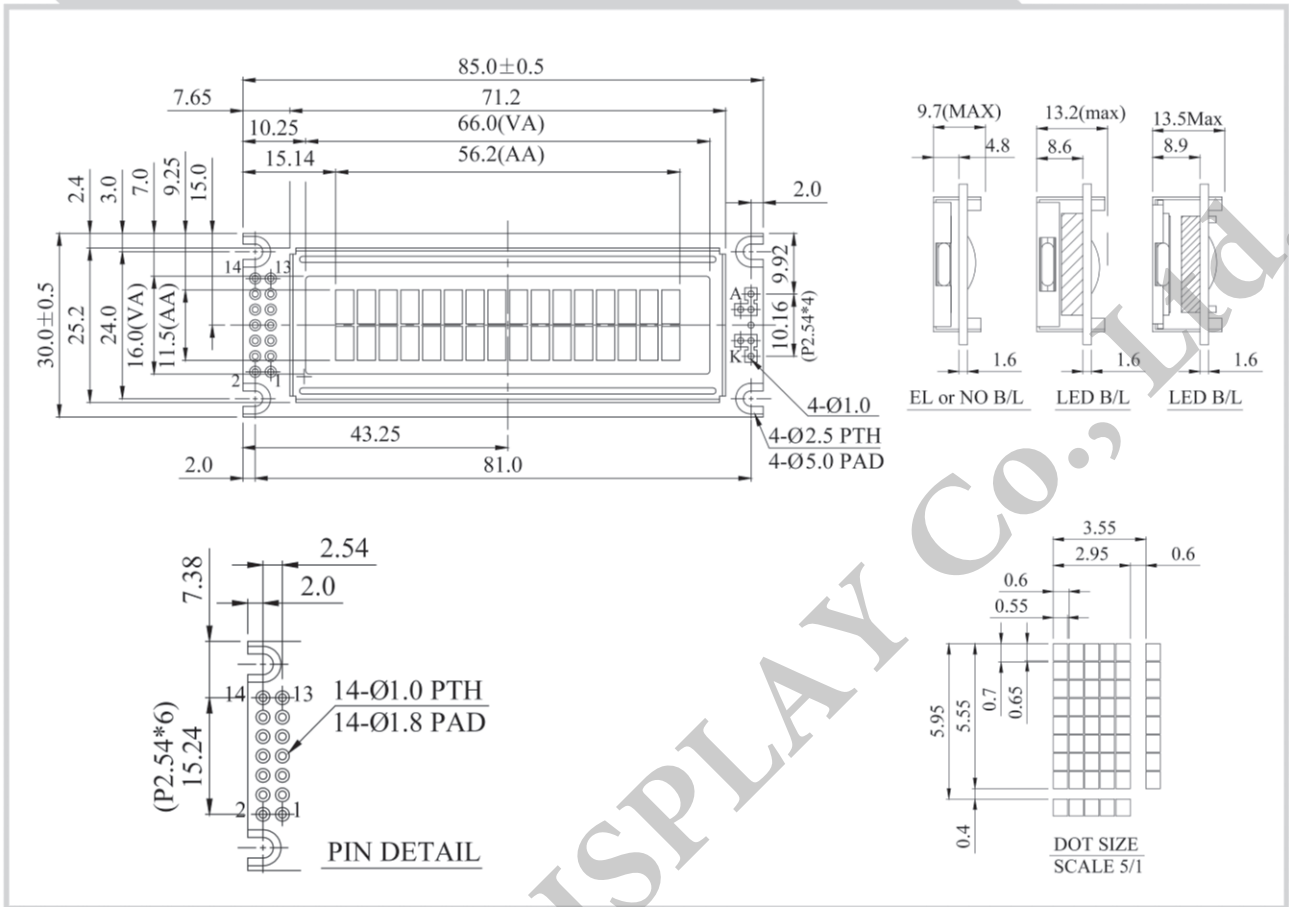


WH1602D Character 16x2



Feature

- 1.5x8 dots includes cursor
- Built-in controller (ST7066 or Equivalent)
- 3.5V power supply only
- N.V, optional for 3V power supply
- 1/16 duty cycle
- LED can be driven by PIN1, PIN2, or A and K
- Interface : 6800, option SPI/I2C (RW1063 IC)

Pin No.	Symbol	Description
1	V _{DD}	Power supply for logic
2	V _{SS}	Ground
3	V _O	Contrast Adjustment
4	RS	Data/ Instruction select signal
5	R/W	Read/Write select signal
6	E	Enable signal
7	DB0	Data bus line
8	DB1	Data bus line
9	DB2	Data bus line
10	DB3	Data bus line
11	DB4	Data bus line
12	DB5	Data bus line
13	DB6	Data bus line
14	DB7	Data bus line

Mechanical Data

Item	Standard Value	Unit
Module Dimension	85.0 x 30.0	mm
Viewing Area	66.0 x 16.0	mm
Mounting Hole	81.0 x 24.0	mm
Character Size	2.95 x 5.55	mm

Electrical Characteristics

Item	Symbol	Standard Value	Unit
		typ.	
Input Voltage	V _{DD}	5.0	V
Recommended LCD Driving Voltage for Normal Temp. Version module @25°C	V _{DD-VO}	3.70	V

Display Character Address Code

Display position	1	2	3	4	5	6	7	8	9	10	11	12	13	14	15	16
DD RAM Address	00	01														0F
DD RAM Address	40	41														4F