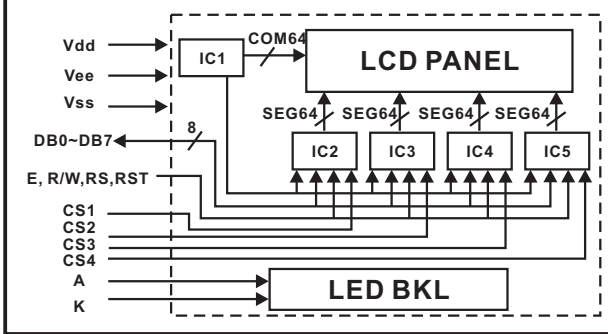


ITEM	T1	T2
LED backlight	10.4	15.0
EL / without backlight	5.4	10.0

BLOCK DIAGRAM



FEATURE

1. 240X64 dots graphic LCD module
2. Built-in controller (T6963C)
3. +5V power supply
4. STN LCD panel, 1/64 duty cycle

MECHANICAL SPECIFICATIONS

PARAMETER	VALUE	UNIT
DOT NUMBER	240W X 64H	—
OVERALL SIZE	180.00W X 75.00H	mm
VIEWING AREA	132.00W X 39.00H	mm
HOLE - HOLE	176.00W X 64.00H	mm
DOT SIZE	0.48W X 0.48H	mm
DOT PITCH	0.05W X 0.05H	mm

PIN ASSIGNMENT

PIN	SYMBOL	FUNCTION
1	FG	Frame ground
2	Vss	GND
3	Vdd	Power Supply
4	Vee	Operating voltage for LCD
5	/WR	Write enable signal
6	/RD	Read enable signal
7	/CE	Chip enable signal
8	C/D	H: Instruction , L: Data
9	RST	Reset signal
10 to 17	DB0 to DB7	H/L Data bus line
18	FS	Font selection
19(A)	LED+	Power supply for BKL
20(K)	LED-	Power supply for BKL

ABSOLUTE MAXIMUM RATINGS

ITEM	SYMBOL	MIN	MAX	UNIT
POWER SUPPLY (LOGIC)	Vdd	-0.3	7.0	V
POWER SUPPLY (LCD)	V0	Vdd-30	Vdd-8	V
INPUT VOLTAGE	Vin	-0.3	Vdd+0.3	V

ELECTRONICAL CHARACTERISTICS

ITEM	SYMBOL	CONDITION	STANDARD			UNIT
			MIN	TYP	MAX	
Input voltage	Vdd	+5V	4.7	5.0	5.5	V
Supply current	Idd	Vdd=5V	---	10.0	---	mA
Recommended LCD driving voltage for normal temp version module	Vdd-V0	0 °C	---	13.0	---	V
		25 °C	---	12.5	---	
		50 °C	---	12.0	---	
LED forward voltage	V _F	25 °C	---	4.2	4.5	V
LED forward current	I _F	25 °C	---	540	---	mA